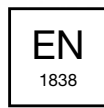
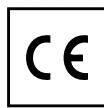
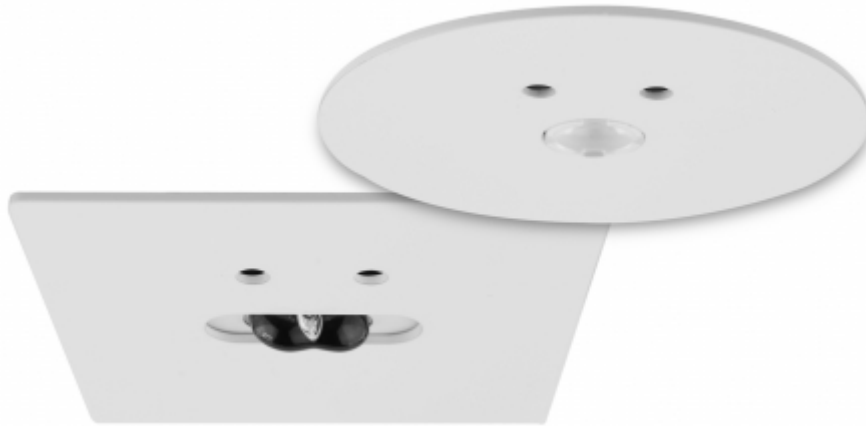


SLIMSPOT II: LINE MIDBAY



Slimspot II is a recessed emergency light that is effective and seamless. It has an elegant and minimalist appearance, so it blends in with the surroundings and architecture. The broad Slimspot II product family and range of optics offers many options to suit a variety of applications and systems. Slimspot II is designed for indoor lighting, and it has durable metal framing. The standard colour of the luminaire is white. On request, it is also possible to order Slimspot II in black and grey to match the surrounding environment.

The Slimspot II Line Midbay provides a long and narrow pattern that illuminates escape routes efficiently.

for escape routes

installation height: up to 10 meters

self-contained or centrally supplied depending on model

IP rating: IP20

installation: recess-mounted

material: metal framing

standard colour: white (RAL 9003)

optional colours: black (RAL 9005) and grey (RAL 9006)

The product codes starting with letter Y include an individually packed luminaire. The product codes starting with TW include the luminaire only.

SELF-CONTAINED ESCAP EMERGENCY LIGHTS WITH SUPER CAPACITOR AND SELF-TESTING

We reserve the rights to make modifications without notice.

Copyright © 2021 Teknoware. All rights reserved.

Date: January 08, 2021 | Source:

www.teknoware.com/en/emergency-lighting/emergency-lights/emergency-light-product-families/slimspot-ii-line-midbay



Teknoware Oy | P.O. Box 19, 15101 Lahti | Ilmarisentie 8, 15200 Lahti Finland

Tel +358 3 883 020 | VAT-number FI01494751 | teknoware.com | emexit@teknoware.com

Product Code	Nominal Supply Voltage	Feature	Backup (h)	Form
TWSA492WM	220-240 V, 50/60 Hz AC	Escap, Lumi Test	1	■
TWSA492WM4	220-240 V, 50/60 Hz AC	Escap, Lumi Test	1	■
TWS1192WM4	220-240 V, 50/60 Hz AC	Escap, Lumi Test	1	●
TWS1192WM	220-240 V, 50/60 Hz AC	Escap, Lumi Test	1	●

SELF-CONTAINED ESCAP EMERGENCY LIGHTS WITH SUPER CAPACITOR AND WIRELESS CENTRAL MONITORING

Product Code	Nominal Supply Voltage	Feature	Backup (h)
TWSA492WA	220-240 V, 50/60 Hz AC	Aalto Control, Escap, Lumi Test	1
TWSA492WA4	220-240 V, 50/60 Hz AC	Aalto Control, Escap, Lumi Test	1
TWS1192WA4	220-240 V, 50/60 Hz AC	Aalto Control, Escap, Lumi Test	1
TWS1192WA	220-240 V, 50/60 Hz AC	Aalto Control, Escap, Lumi Test	1

SELF-CONTAINED EMERGENCY LIGHTS WITH BATTERY AND SELF-TESTING

Product Code	Nominal Supply Voltage	Feature	Backup (h)
TWTA452WM	220-240 V, 50/60 Hz AC	Lumi Test	1
TWTA453WM	220-240 V, 50/60 Hz AC	Lumi Test	3
TWT1152WM	220-240 V, 50/60 Hz AC	Lumi Test	1
TWT1153WM	220-240 V, 50/60 Hz AC	Lumi Test	3

SELF-CONTAINED EMERGENCY LIGHTS WITH BATTERY AND WIRELESS CENTRAL MONITORING

Product Code	Nominal Supply Voltage	Feature	Backup (h)
TWTA452WA	220-240 V, 50/60 Hz AC	Aalto Control	1
TWTA453WA	220-240 V, 50/60 Hz AC	Aalto Control, Lumi Test	3
TWT1152WA	220-240 V, 50/60 Hz AC	Aalto Control, Lumi Test	1
TWT1153WA	220-240 V, 50/60 Hz AC	Aalto Control, Lumi Test	3

ADDRESSABLE 230 V CENTRALLY SUPPLIED EMERGENCY LIGHTS

Product Code	Nominal Supply Voltage	Feature
TWTA451WK	220-240 V, 50/60 Hz AC, DC	Intelligent Controller, Tapsa Control

We reserve the rights to make modifications without notice.

Copyright © 2021 Teknoware. All rights reserved.

Date: January 08, 2021 | Source:

www.teknoware.com/en/emergency-lighting/emergency-lights/emergency-light-product-families/slimspot-ii-line-midbay



Teknoware Oy | P.O. Box 19, 15101 Lahti | Ilmarisentie 8, 15200 Lahti Finland

Tel +358 3 883 020 | VAT-number FI01494751 | teknoware.com | emexit@teknoware.com

Product Code	Nominal Supply Voltage	Feature
TWT1151WKP	220-240 V, 50/60 Hz AC, DC	Intelligent Controller, Tapsa Control
TWT1151WK	220-240 V, 50/60 Hz AC, DC	Intelligent Controller, Tapsa Control

NON-ADDRESSABLE 230 V CENTRALLY SUPPLIED EMERGENCY LIGHTS

Product Code	Nominal Supply Voltage	Feature
TWT1171W	24-230 V, 50/60 Hz AC, DC	
TWTA471W	24-230 V, 50/60 Hz AC, DC	

ADDRESSABLE 24 V CENTRALLY SUPPLIED EMERGENCY LIGHTS

Product Code	Nominal Supply Voltage	Feature
TWT1141WK	24 V, 50/60 Hz AC, DC	Tapsa Control
TWTA441WK	24 V, 50/60 Hz AC, DC	Tapsa Control

We reserve the rights to make modifications without notice.

Copyright © 2021 Teknoware. All rights reserved.

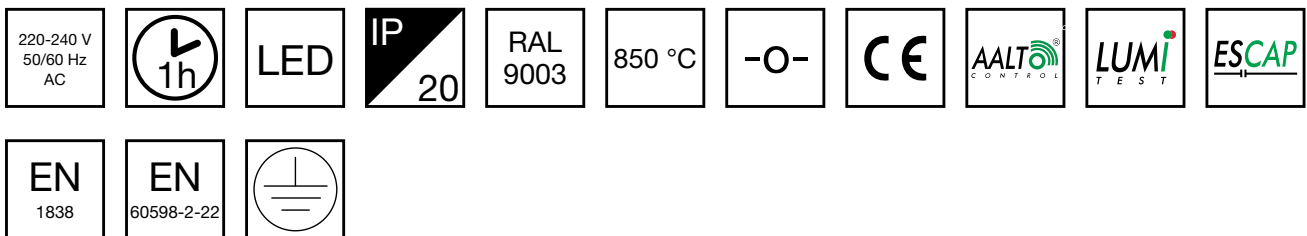
Date: January 08, 2021 | Source:

www.teknoware.com/en/emergency-lighting/emergency-lights/emergency-light-product-families/slimspot-ii-line-midbay



Teknoware Oy | P.O. Box 19, 15101 Lahti | Ilmarisentie 8, 15200 Lahti Finland
 Tel +358 3 883 020 | VAT-number FI01494751 | teknoware.com | emexit@teknoware.com

SLIMSPOT II LINE MIDBAY EMERGENCY LIGHT TWS1192WA



Self-contained Escap emergency light with 1 h super capacitor and wireless central monitoring

Slimspot II is a recessed emergency light that is effective and seamless. It has an elegant and minimalist appearance, so it blends in with the surroundings and architecture. The broad Slimspot II product family and range of optics offers many options to suit a variety of applications and systems. Slimspot II is designed for indoor lighting, and it has durable metal framing. The standard colour of the luminaire is white. On request, it is also possible to order Slimspot II in black and grey to match the surrounding environment.

The Slimspot II Line Midbay provides a long and narrow pattern that illuminates escape routes **efficiently**.

We reserve the rights to make modifications without notice.

Copyright © 2021 Teknoware. All rights reserved.

Date: January 08, 2021 | Source:

www.teknoware.com/en/emergency-lighting/slimspot-ii-line-midbay-emergency-light-tws1192wa



Product Code	TWS1192WA
Feature	Aalto Control, Escap, Lumi Test
Mounting (standard)	recess
Customs Code	94056080
GTIN Code	6438045023694
ETIM Product Class	EC001957
Length	90 mm
Width	90 mm
Height	47 mm
Weight	0.8 kg
Backup	1 h
Max Input Power VA	3 VA
Nominal Supply Voltage	220-240 V, 50/60 Hz AC
Protection Class	I
IP Class	IP20
Temperature Range Min - Max	-25...+35 °C
Glow Wire Test of Plastic Materials	850 °C
Light Source	LED
Body Material	metal
Aperture for Recess Mounting	ø75 mm
Colour	RAL9003
Electrical Installation	3 x 2,5 mm ²
Luminous Flux	60 lm

Emergency lighting for escape routes (ceiling mounting)

Table of 1 lux for escape routes in the middle line according to the norm EN 1838.

Level of measurement 0,02 m, measurement result with battery operation.

We reserve the rights to make modifications without notice.

Copyright © 2021 Teknoware. All rights reserved.

Date: January 08, 2021 | Source:

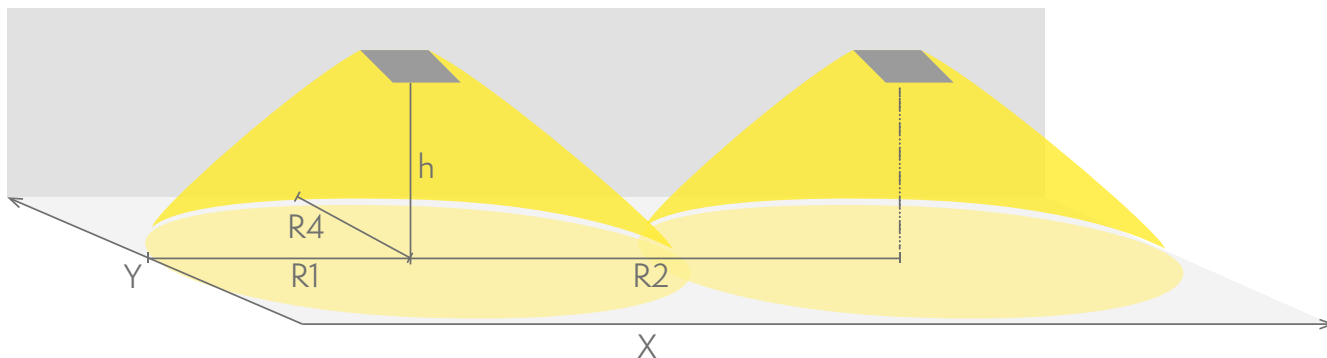
www.teknoware.com/en/emergency-lighting/slimspot-ii-line-midbay-emergency-light-tws119

2wa



Teknoware Oy | P.O. Box 19, 15101 Lahti | Ilmarisentie 8, 15200 Lahti Finland

Tel +358 3 883 020 | VAT-number FI01494751 | teknoware.com | emexit@teknoware.com



- R1 distance from wall (X axis)
- R2 installation distance between lights (X axis)
- R4 distance from wall (Y axis)

TWS1192WA

Mounting height (m)	Below the light lux	R1 (m)	R2 (m)	R4 (m)
		1 lux	1 lux	1 lux
2,5	11	3.5	8	1
3	8	3.5	9	1
4	4.5	4	10	1
6	2	4	11	1
8	1.1	3	11	1

We reserve the rights to make modifications without notice.

Copyright © 2021 Teknoware. All rights reserved.

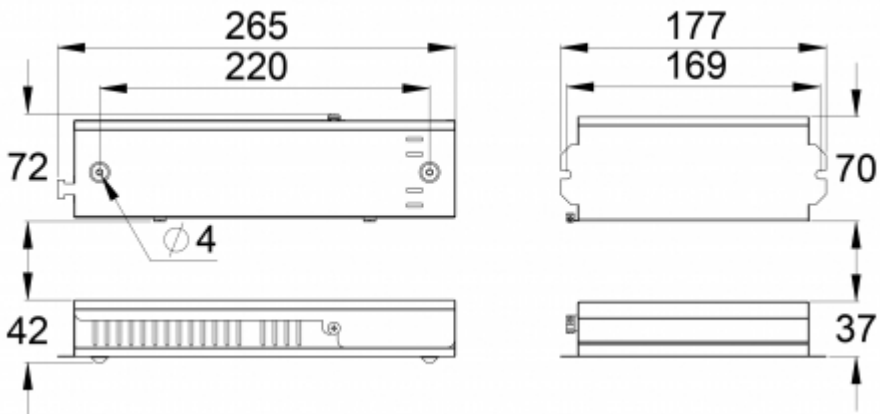
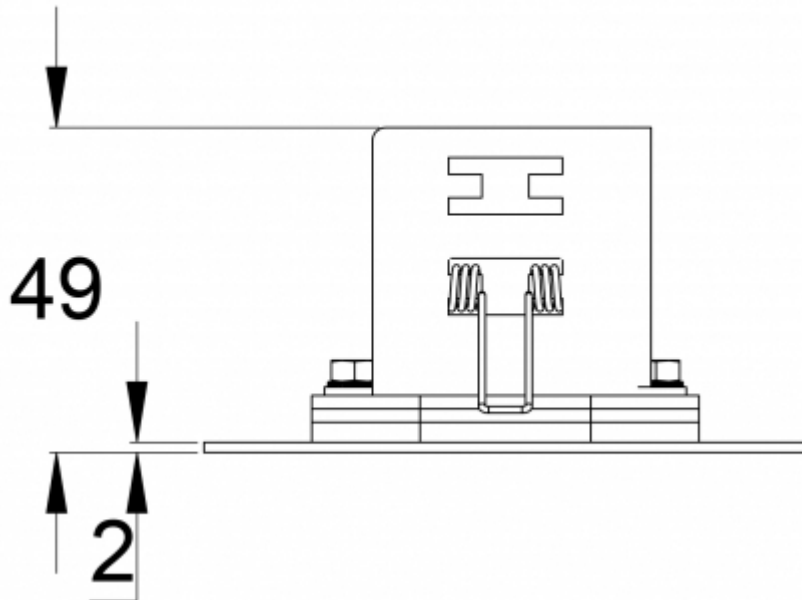
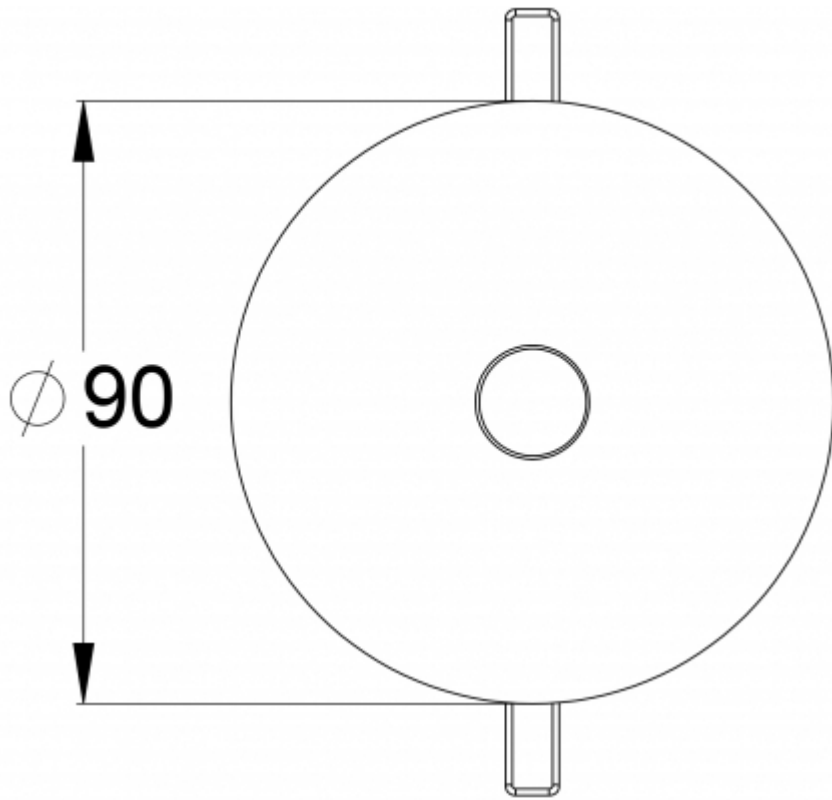
Date: January 08, 2021 | Source:

www.teknoware.com/en/emergency-lighting/slimspot-ii-line-midbay-emergency-light-tws1192wa



Teknoware Oy | P.O. Box 19, 15101 Lahti | Ilmarisentie 8, 15200 Lahti Finland

Tel +358 3 883 020 | VAT-number FI01494751 | teknoware.com | emexit@teknoware.com

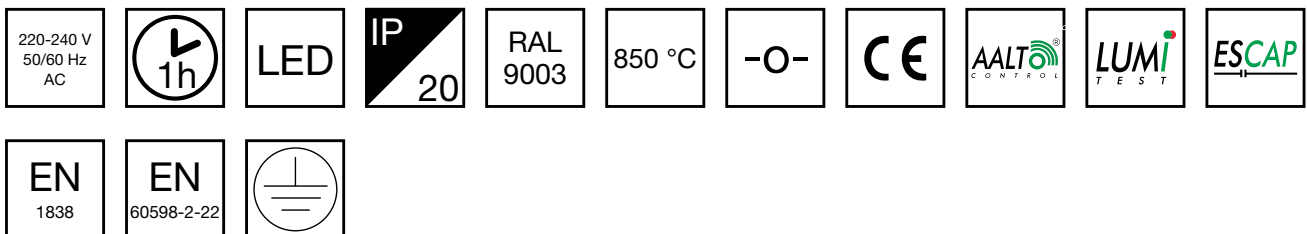


We reserve the rights to make modifications without notice.
 Copyright © 2021 Teknoware. All rights reserved.
 Date: January 08, 2021 | Source:
www.teknoware.com/en/emergency-lighting/slimspot-ii-line-midbay-emergency-light-tws119-2wa



Teknoware Oy | P.O. Box 19, 15101 Lahti | Ilmarisentie 8, 15200 Lahti Finland
 Tel +358 3 883 020 | VAT-number FI01494751 | teknoware.com | emexit@teknoware.com

SLIMSPOT II LINE MIDBAY EMERGENCY LIGHT TWS1192WA4



Self-contained Escap emergency light with 1 h super capacitor and wireless central monitoring

Slimspot II is a recessed emergency light that is effective and seamless. It has an elegant and minimalist appearance, so it blends in with the surroundings and architecture. The broad Slimspot II product family and range of optics offers many options to suit a variety of applications and systems. Slimspot II is designed for indoor lighting, and it has durable metal framing. The standard colour of the luminaire is white. On request, it is also possible to order Slimspot II in black and grey to match the surrounding environment.

The Slimspot II Line Midbay provides a long and narrow pattern that illuminates escape routes **efficiently**.

We reserve the rights to make modifications without notice.

Copyright © 2021 Teknoware. All rights reserved.

Date: January 08, 2021 | Source:

www.teknoware.com/en/emergency-lighting/slimspot-ii-line-midbay-emergency-light-tws1192wa4



Product Code	TWS1192WA4
Feature	Aalto Control, Escap, Lumi Test
Mounting (standard)	recess
Customs Code	94056080
GTIN Code	6438045024264
ETIM Product Class	EC001957
Length	90 mm
Width	90 mm
Height	47 mm
Weight	0.8 kg
Backup	1 h
Max Input Power VA	3 VA
Nominal Supply Voltage	220-240 V, 50/60 Hz AC
Protection Class	I
IP Class	IP20
Temperature Range Min - Max	-25...+35 °C
Glow Wire Test of Plastic Materials	850 °C
Light Source	LED
Body Material	metal
Aperture for Recess Mounting	ø75 mm
Colour	RAL9003
Electrical Installation	3 x 2,5 mm ²
Luminous Flux	60 lm

Emergency lighting for escape routes (ceiling mounting)

Table of 1 lux for escape routes in the middle line according to the norm EN 1838.

Level of measurement 0,02 m, measurement result with battery operation.

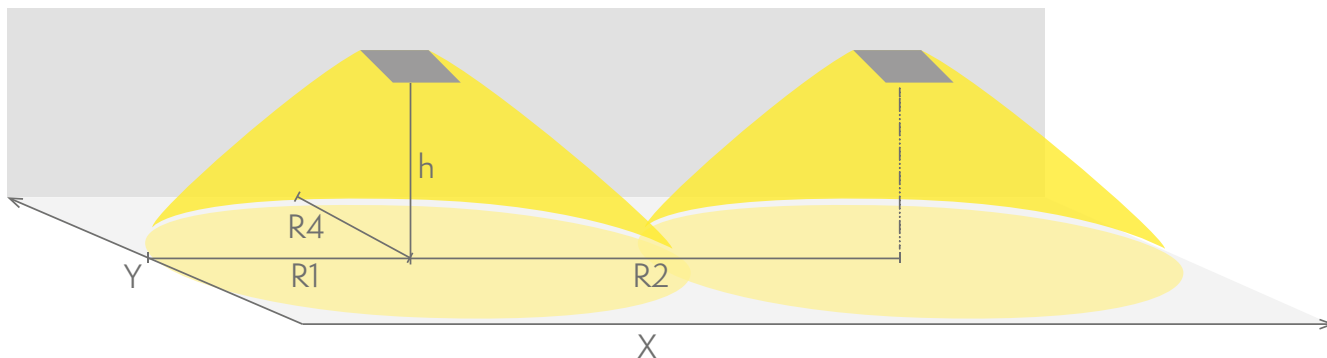
We reserve the rights to make modifications without notice.

Copyright © 2021 Teknoware. All rights reserved.

Date: January 08, 2021 | Source:

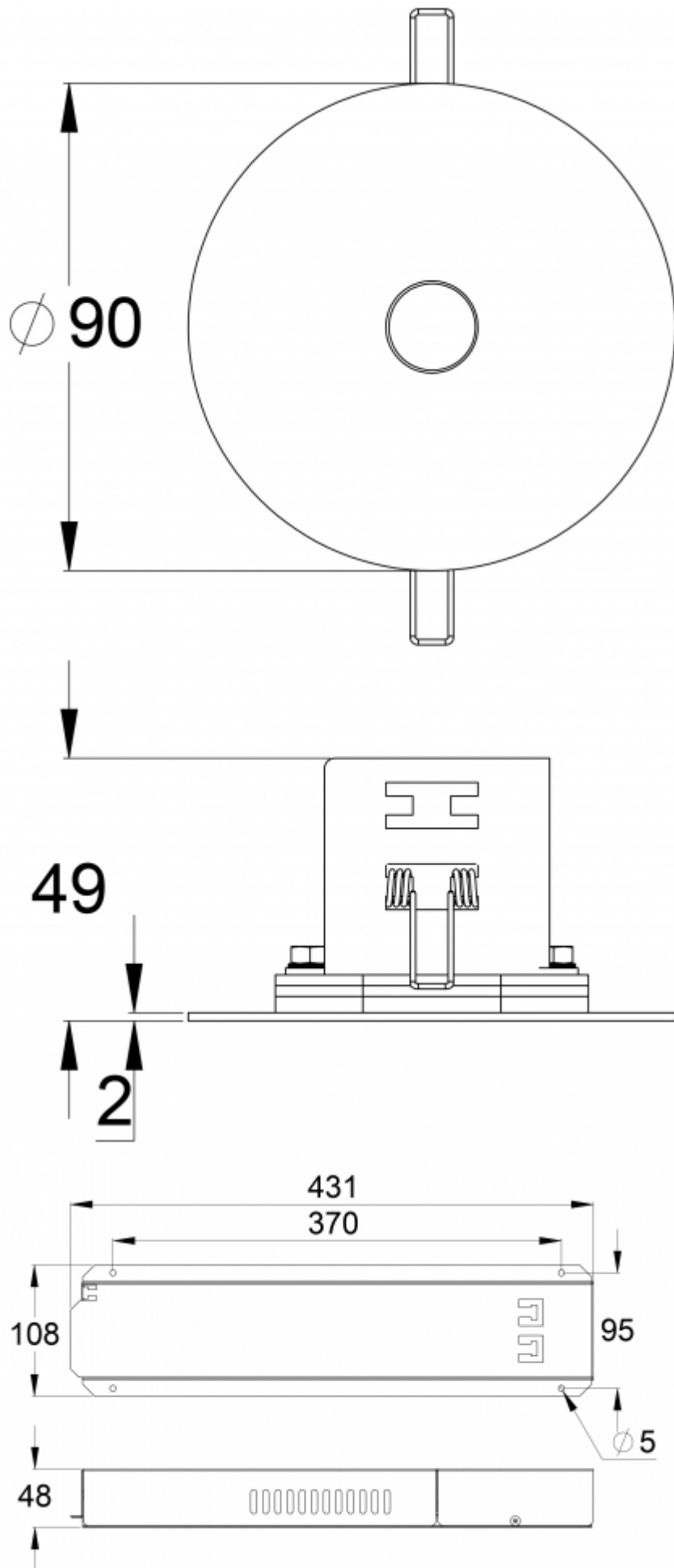
www.teknoware.com/en/emergency-lighting/slimspot-ii-line-midbay-emergency-light-tws1192wa4





R1 distance from wall (X axis)
 R2 installation distance between lights (X axis)
 R4 distance from wall (Y axis)
TWS1192WA4

Mounting height (m)	Below the light lux	R1 (m)	R2 (m)	R4 (m)
		1 lux	1 lux	1 lux
2,5	11	3.5	8	1
3	8	3.5	9	1
4	4.5	4	10	1
6	2	4	11	1
8	1.1	3	11	1



We reserve the rights to make modifications without notice.

Copyright © 2021 Teknoware. All rights reserved.

Date: January 08, 2021 | Source:

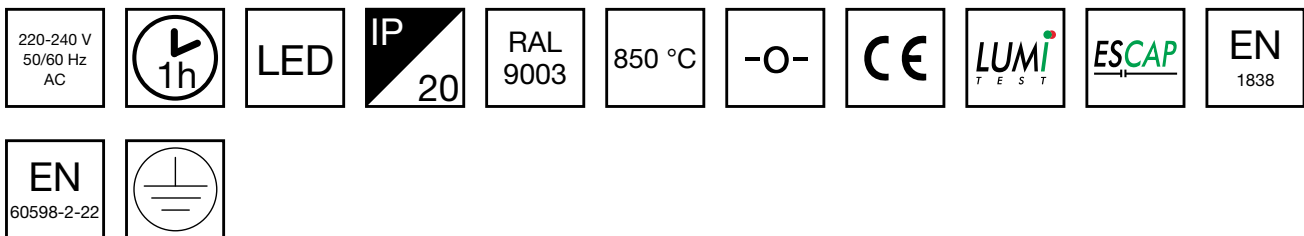
www.teknoware.com/en/emergency-lighting/slimspot-ii-line-midbay-emergency-light-tws119-2wa4



Teknoware Oy | P.O. Box 19, 15101 Lahti | Ilmarisentie 8, 15200 Lahti Finland

Tel +358 3 883 020 | VAT-number FI01494751 | teknoware.com | emexit@teknoware.com

SLIMSPOT II LINE MIDBAY EMERGENCY LIGHT TWS1192WM



Self-contained Escap emergency light with 1 h super capacitor and Lumi Test self-testing

Slimspot II is a recessed emergency light that is effective and seamless. It has an elegant and minimalist appearance, so it blends in with the surroundings and architecture. The broad Slimspot II product family and range of optics offers many options to suit a variety of applications and systems. Slimspot II is designed for indoor lighting, and it has durable metal framing. The standard colour of the luminaire is white. On request, it is also possible to order Slimspot II in black and grey to match the surrounding environment.

The Slimspot II Line Midbay provides a long and narrow pattern that illuminates escape routes **efficiently**.

We reserve the rights to make modifications without notice.

Copyright © 2021 Teknoware. All rights reserved.

Date: January 08, 2021 | Source:

www.teknoware.com/en/emergency-lighting/slimspot-ii-line-midbay-emergency-light-tws1192wm



Product Code	TWS1192WM
Feature	Escap, Lumi Test
Mounting (standard)	recess
Customs Code	94056080
GTIN Code	6438045023700
ETIM Product Class	EC001957
Length	90 mm
Width	90 mm
Height	47 mm
Weight	0.8 kg
Backup	1 h
Max Input Power VA	3 VA
Nominal Supply Voltage	220-240 V, 50/60 Hz AC
Protection Class	I
IP Class	IP20
Temperature Range Min - Max	-25...+35 °C
Glow Wire Test of Plastic Materials	850 °C
Light Source	LED
Body Material	metal
Aperture for Recess Mounting	ø75 mm
Colour	RAL9003
Electrical Installation	3 x 2,5 mm ²
Luminous Flux	60 lm

Emergency lighting for escape routes (ceiling mounting)

Table of 1 lux for escape routes in the middle line according to the norm EN 1838.

Level of measurement 0,02 m, measurement result with battery operation.

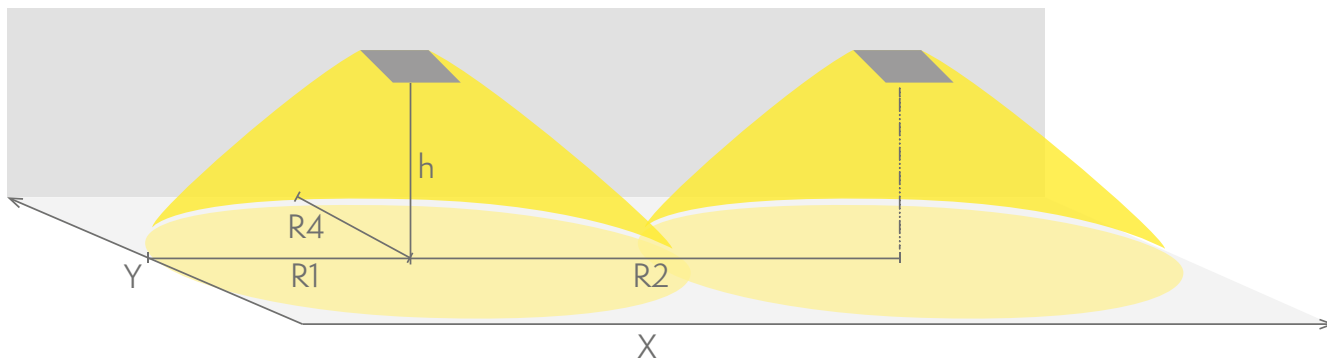
We reserve the rights to make modifications without notice.

Copyright © 2021 Teknoware. All rights reserved.

Date: January 08, 2021 | Source:

www.teknoware.com/en/emergency-lighting/slimspot-ii-line-midbay-emergency-light-tws1192wm





R1 distance from wall (X axis)
 R2 installation distance between lights (X axis)
 R4 distance from wall (Y axis)

TWS1192WM

Mounting height (m)	Below the light lux	R1 (m)	R2 (m)	R4 (m)
		1 lux	1 lux	1 lux
2,5	11	3.5	8	1
3	8	3.5	9	1
4	4.5	4	10	1
6	2	4	11	1
8	1.1	3	11	1

We reserve the rights to make modifications without notice.

Copyright © 2021 Teknoware. All rights reserved.

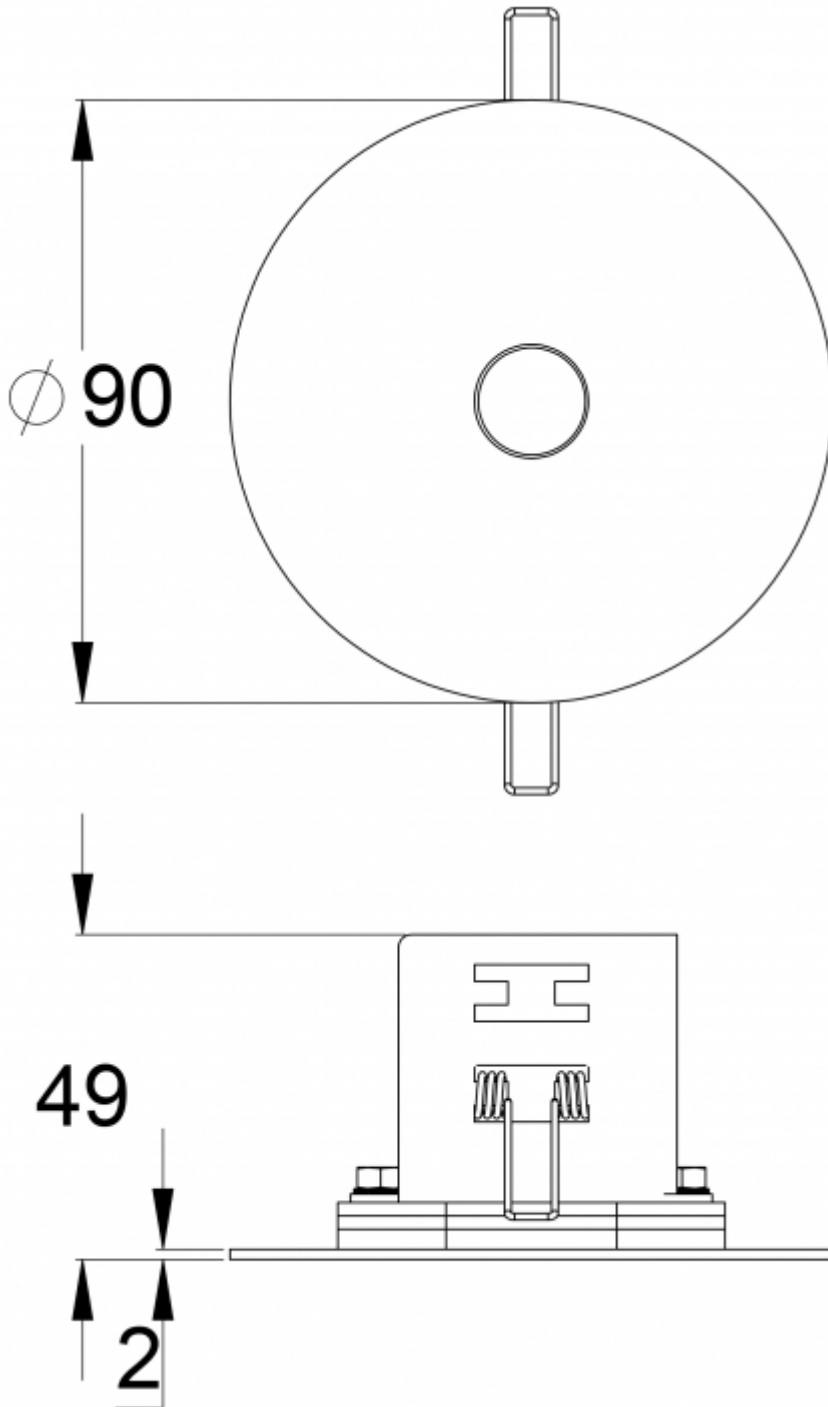
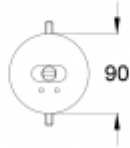
Date: January 08, 2021 | Source:

www.teknoware.com/en/emergency-lighting/slimspot-ii-line-midbay-emergency-light-tws1192wm



Teknoware Oy | P.O. Box 19, 15101 Lahti | Ilmarisentie 8, 15200 Lahti Finland

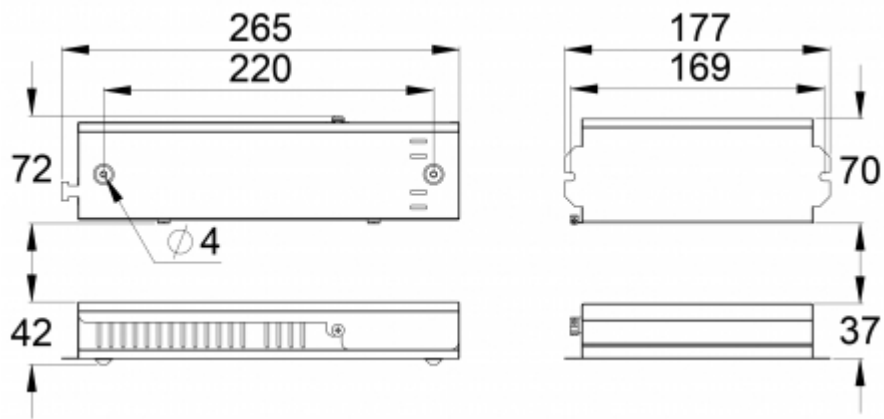
Tel +358 3 883 020 | VAT-number FI01494751 | teknoware.com | emexit@teknoware.com



We reserve the rights to make modifications without notice.
 Copyright © 2021 Teknoware. All rights reserved.
 Date: January 08, 2021 | Source:
www.teknoware.com/en/emergency-lighting/slimspot-ii-line-midbay-emergency-light-tws119-2wm



Teknoware Oy | P.O. Box 19, 15101 Lahti | Ilmarisentie 8, 15200 Lahti Finland
 Tel +358 3 883 020 | VAT-number FI01494751 | teknoware.com | emexit@teknoware.com



We reserve the rights to make modifications without notice.

Copyright © 2021 Teknoware. All rights reserved.

Date: January 08, 2021 | Source:

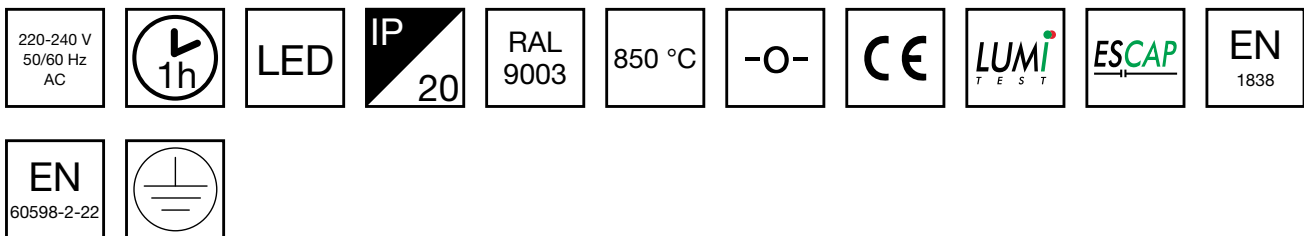
www.teknoware.com/en/emergency-lighting/slimspot-ii-line-midbay-emergency-light-tws119-2wm



Teknoware Oy | P.O. Box 19, 15101 Lahti | Ilmarisentie 8, 15200 Lahti Finland

Tel +358 3 883 020 | VAT-number FI01494751 | teknoware.com | emexit@teknoware.com

SLIMSPOT II LINE MIDBAY EMERGENCY LIGHT TWS1192WM4



Self-contained Escap emergency light with 1 h super capacitor and Lumi Test self-testing

Slimspot II is a recessed emergency light that is effective and seamless. It has an elegant and minimalist appearance, so it blends in with the surroundings and architecture. The broad Slimspot II product family and range of optics offers many options to suit a variety of applications and systems. Slimspot II is designed for indoor lighting, and it has durable metal framing. The standard colour of the luminaire is white. On request, it is also possible to order Slimspot II in black and grey to match the surrounding environment.

The Slimspot II Line Midbay provides a long and narrow pattern that illuminates escape routes **efficiently**.

We reserve the rights to make modifications without notice.

Copyright © 2021 Teknoware. All rights reserved.

Date: January 08, 2021 | Source:

www.teknoware.com/en/emergency-lighting/slimspot-ii-line-midbay-emergency-light-tws1192wm4



Product Code	TWS1192WM4
Feature	Escap, Lumi Test
Mounting (standard)	recess
Customs Code	94056080
GTIN Code	6438045024271
ETIM Product Class	EC001957
Length	90 mm
Width	90 mm
Height	47 mm
Weight	0.8 kg
Backup	1 h
Max Input Power VA	3 VA
Nominal Supply Voltage	220-240 V, 50/60 Hz AC
Protection Class	I
IP Class	IP20
Temperature Range Min - Max	-25...+35 °C
Glow Wire Test of Plastic Materials	850 °C
Light Source	LED
Body Material	metal
Aperture for Recess Mounting	ø75 mm
Colour	RAL9003
Electrical Installation	3 x 2,5 mm ²
Luminous Flux	60 lm

Emergency lighting for escape routes (ceiling mounting)

Table of 1 lux for escape routes in the middle line according to the norm EN 1838.

Level of measurement 0,02 m, measurement result with battery operation.

We reserve the rights to make modifications without notice.

Copyright © 2021 Teknoware. All rights reserved.

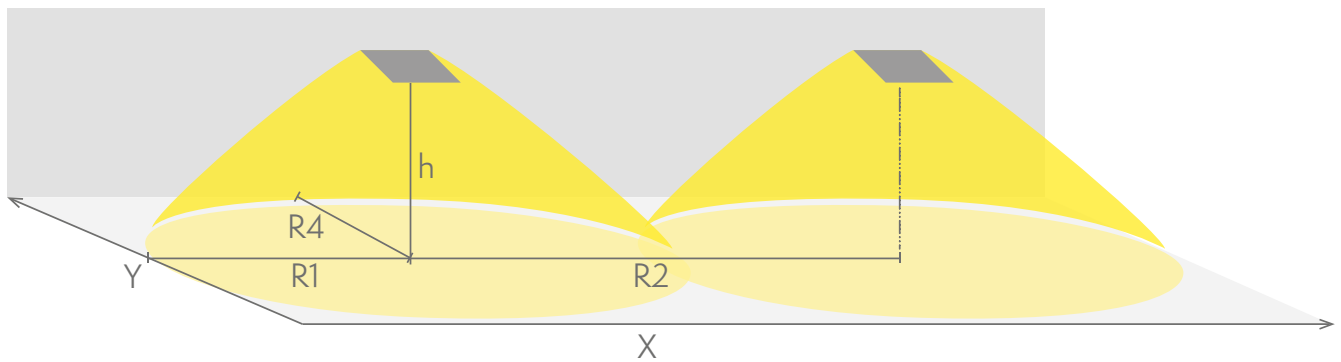
Date: January 08, 2021 | Source:

www.teknoware.com/en/emergency-lighting/slimspot-ii-line-midbay-emergency-light-tws1192wm4



Teknoware Oy | P.O. Box 19, 15101 Lahti | Ilmarisentie 8, 15200 Lahti Finland

Tel +358 3 883 020 | VAT-number FI01494751 | teknoware.com | emexit@teknoware.com



- R1 distance from wall (X axis)
- R2 installation distance between lights (X axis)
- R4 distance from wall (Y axis)

TWS1192WM4

Mounting height (m)	Below the light lux	R1 (m)	R2 (m)	R4 (m)
		1 lux	1 lux	1 lux
2,5	11	3.5	8	1
3	8	3.5	9	1
4	4.5	4	10	1
6	2	4	11	1
8	1.1	3	11	1

We reserve the rights to make modifications without notice.

Copyright © 2021 Teknoware. All rights reserved.

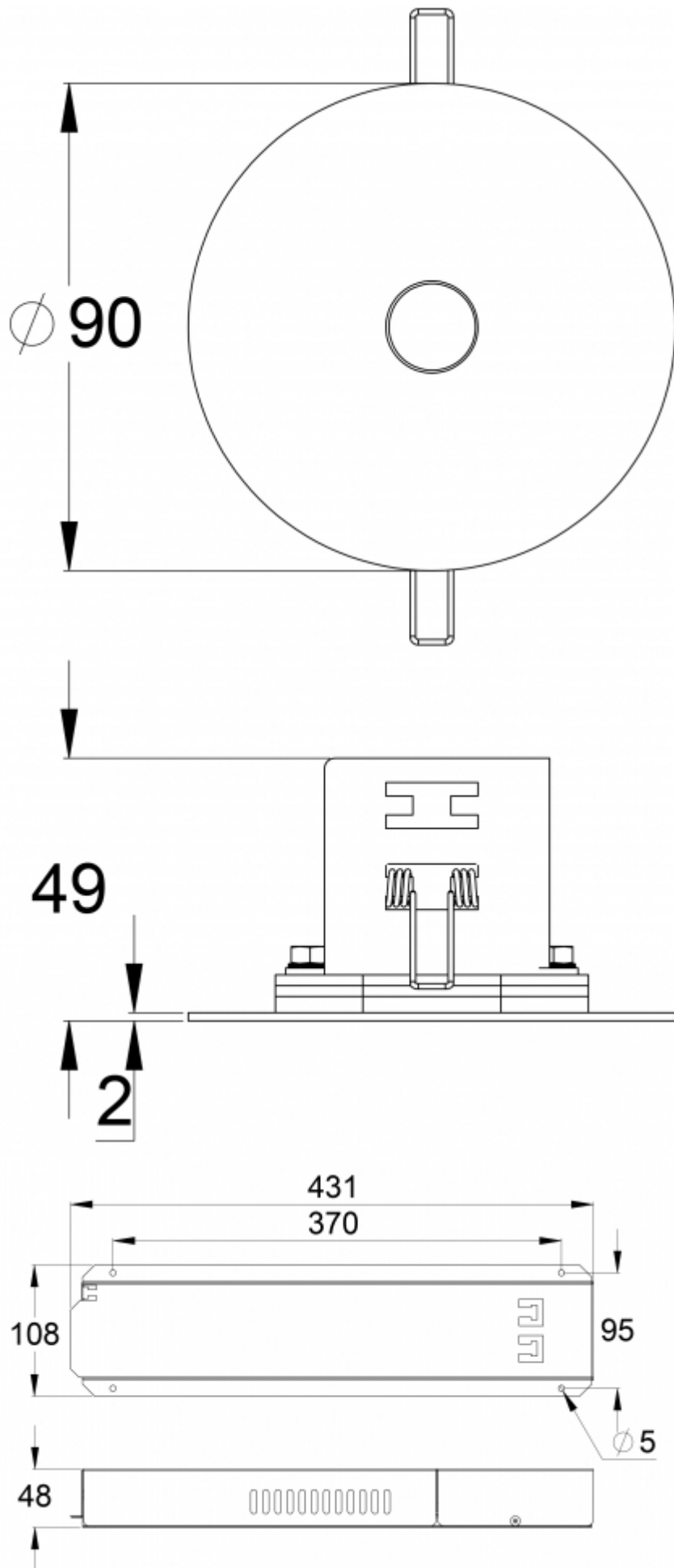
Date: January 08, 2021 | Source:

www.teknoware.com/en/emergency-lighting/slimspot-ii-line-midbay-emergency-light-tws1192wm4



Teknoware Oy | P.O. Box 19, 15101 Lahti | Ilmarisentie 8, 15200 Lahti Finland

Tel +358 3 883 020 | VAT-number FI01494751 | teknoware.com | emexit@teknoware.com



We reserve the rights to make modifications without notice.

Copyright © 2021 Teknoware. All rights reserved.

Date: January 08, 2021 | Source:

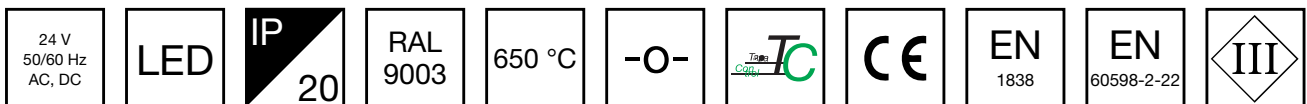
www.teknoware.com/en/emergency-lighting/slimspot-ii-line-midbay-emergency-light-tws119-2wm4



Teknoware Oy | P.O. Box 19, 15101 Lahti | Ilmarisentie 8, 15200 Lahti Finland

Tel +358 3 883 020 | VAT-number FI01494751 | teknoware.com | emexit@teknoware.com

SLIMSPOT II LINE MIDBAY EMERGENCY LIGHT TWT1141WK



Addressable 24 V centrally supplied emergency light

Slimspot II is a recessed emergency light that is effective and seamless. It has an elegant and minimalist appearance, so it blends in with the surroundings and architecture. The broad Slimspot II product family and range of optics offers many options to suit a variety of applications and systems. Slimspot II is designed for indoor lighting, and it has durable metal framing. The standard colour of the luminaire is white. On request, it is also possible to order Slimspot II in black and grey to match the surrounding environment.

The Slimspot II Line Midbay provides a long and narrow pattern that illuminates escape routes efficiently.

We reserve the rights to make modifications without notice.
Copyright © 2021 Teknoware. All rights reserved.
Date: January 08, 2021 | Source:
www.teknoware.com/en/emergency-lighting/slimspot-ii-line-midbay-emergency-light-twt1141wk



Teknoware Oy | P.O. Box 19, 15101 Lahti | Ilmarisentie 8, 15200 Lahti Finland
Tel +358 3 883 020 | VAT-number FI01494751 | teknoware.com | emexit@teknoware.com

Product Code	TWT1141WK
Feature	Tapsa Control
Mounting (standard)	recess
Customs Code	94056080
GTIN Code	6438045025582
ETIM Product Class	EC001957
Length	90 mm
Width	90 mm
Height	47 mm
Weight	0.4 kg
Max Input Power VA	3 VA
Max Input Power W	3,0 W
Nominal Supply Voltage	24 V, 50/60 Hz AC, DC
Protection Class	III
IP Class	IP20
Temperature Range Min - Max	-30...+50 °C
Glow Wire Test of Plastic Materials	650 °C
Light Source	LED
Body Material	metal
Aperture for Recess Mounting	ø75 mm
Colour	RAL9003
Electrical Installation	2 x 2,5 mm ²
Luminous Flux	230 lm

Emergency lighting for escape routes (ceiling mounting)

Table of 1 lux for escape routes in the middle line according to the norm EN 1838.

Level of measurement 0,02 m, measurement result with battery operation.

We reserve the rights to make modifications without notice.

Copyright © 2021 Teknoware. All rights reserved.

Date: January 08, 2021 | Source:

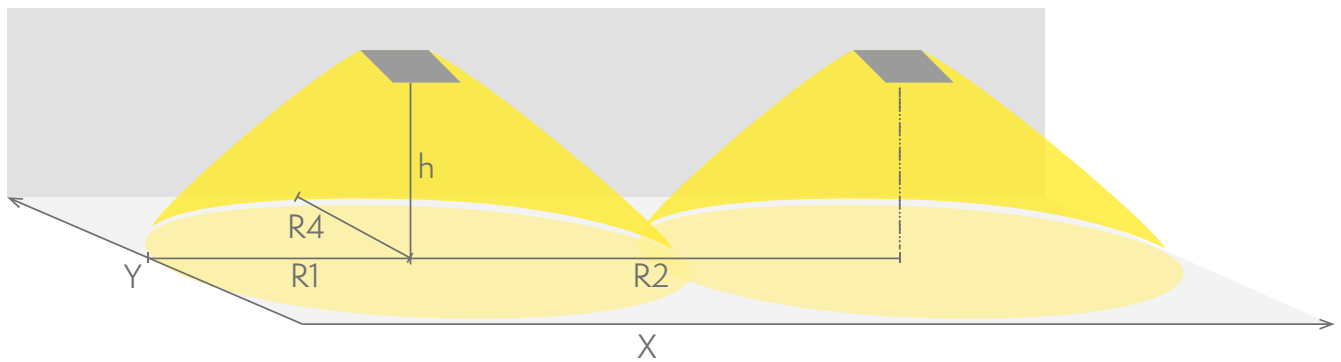
www.teknoware.com/en/emergency-lighting/slimspot-ii-line-midbay-emergency-light-twt114

1wk



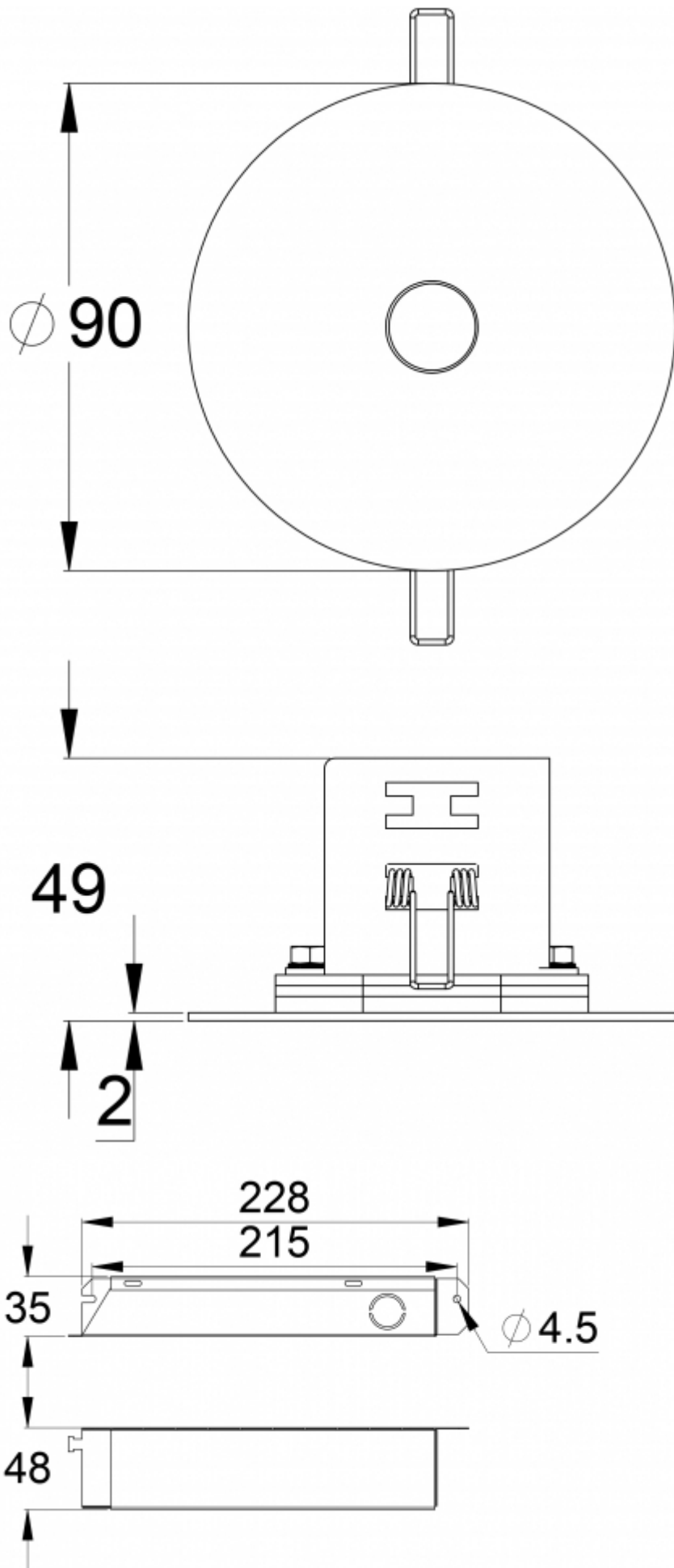
Teknoware Oy | P.O. Box 19, 15101 Lahti | Ilmarisentie 8, 15200 Lahti Finland

Tel +358 3 883 020 | VAT-number FI01494751 | teknoware.com | emexit@teknoware.com



R1 distance from wall (X axis)
 R2 installation distance between lights (X axis)
 R4 distance from wall (Y axis)
TWT1141WK

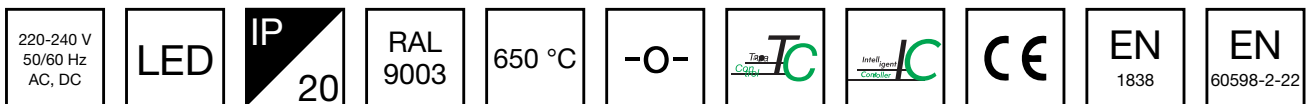
Mounting height (m)	Below the light lux	R1 (m)	R2 (m)	R4 (m)
		1 lux	1 lux	1 lux
2,5	45	5	11	1
3	31	5	11	1
4	17	6.5	15	1
6	7	7	18	1
8	4	8	19	1
10	2	8	20	1



We reserve the rights to make modifications without notice.
 Copyright © 2021 Teknoware. All rights reserved.
 Date: January 08, 2021 | Source:
www.teknoware.com/en/emergency-lighting/slimspot-ii-line-midbay-emergency-light-twt114
 1wk



SLIMSPOT II LINE MIDBAY EMERGENCY LIGHT TWT1151WK



Addressable 230 V centrally supplied emergency light

Slimspot II is a recessed emergency light that is effective and seamless. It has an elegant and minimalist appearance, so it blends in with the surroundings and architecture. The broad Slimspot II product family and range of optics offers many options to suit a variety of applications and systems. Slimspot II is designed for indoor lighting, and it has durable metal framing. The standard colour of the luminaire is white. On request, it is also possible to order Slimspot II in black and grey to match the surrounding environment.

The Slimspot II Line Midbay provides a long and narrow pattern that illuminates escape routes efficiently.

We reserve the rights to make modifications without notice.
Copyright © 2021 Teknoware. All rights reserved.
Date: January 08, 2021 | Source:
www.teknoware.com/en/emergency-lighting/slimspot-ii-line-midbay-emergency-light-twt1151wk



Teknoware Oy | P.O. Box 19, 15101 Lahti | Ilmarisentie 8, 15200 Lahti Finland
Tel +358 3 883 020 | VAT-number FI01494751 | teknoware.com | emexit@teknoware.com

Product Code	TWT1151WK
Feature	Intelligent Controller, Tapsa Control
Mounting (standard)	recess
Customs Code	94056080
GTIN Code	6438045023564
ETIM Product Class	EC001957
Length	90 mm
Width	90 mm
Height	47 mm
Weight	0.4 kg
Max Input Power VA	10 VA
Max Input Power W	5,5 W
Nominal Supply Voltage	220-240 V, 50/60 Hz AC, DC
Protection Class	I
IP Class	IP20
Temperature Range Min - Max	-30...+50 °C
Glow Wire Test of Plastic Materials	650 °C
Light Source	LED
Body Material	metal
Aperture for Recess Mounting	ø75 mm
Colour	RAL9003
Electrical Installation	3 x 2,5 mm ²
Luminous Flux	230 lm

Emergency lighting for escape routes (ceiling mounting)

Table of 1 lux for escape routes in the middle line according to the norm EN 1838.

Level of measurement 0,02 m, measurement result with battery operation.

We reserve the rights to make modifications without notice.

Copyright © 2021 Teknoware. All rights reserved.

Date: January 08, 2021 | Source:

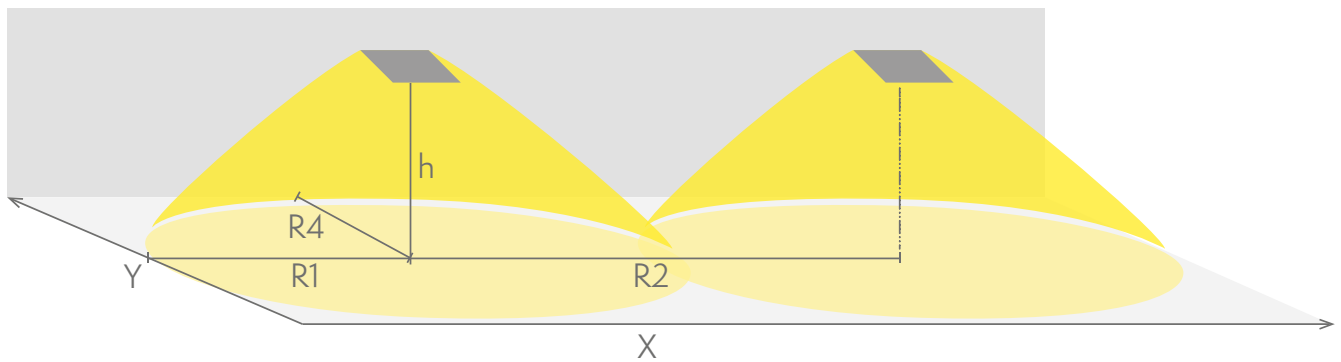
www.teknoware.com/en/emergency-lighting/slimspot-ii-line-midbay-emergency-light-twt1151wk

1wk



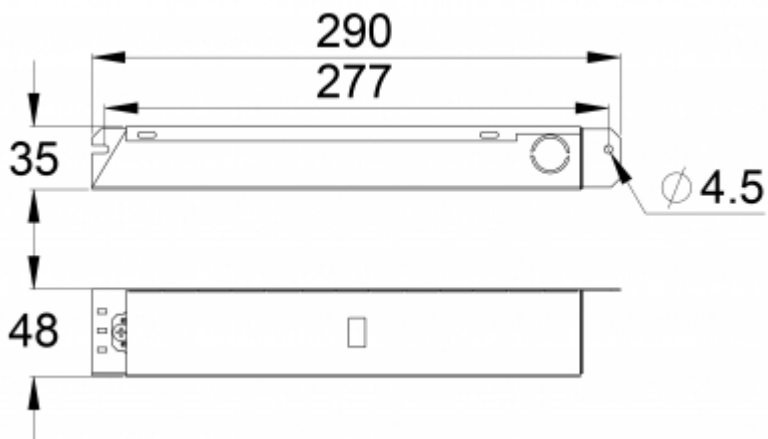
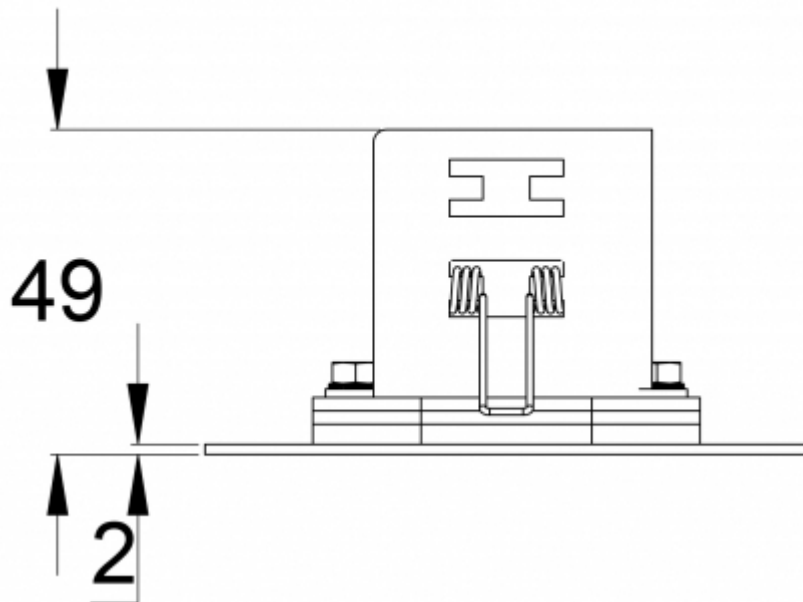
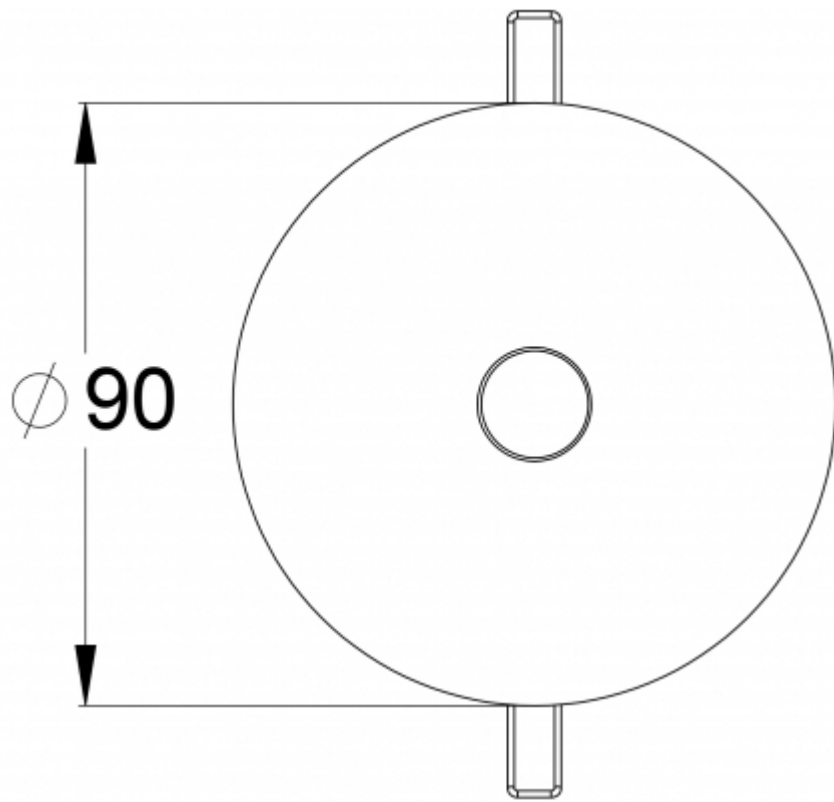
Teknoware Oy | P.O. Box 19, 15101 Lahti | Ilmarisentie 8, 15200 Lahti Finland

Tel +358 3 883 020 | VAT-number FI01494751 | teknoware.com | emexit@teknoware.com



R1 distance from wall (X axis)
 R2 installation distance between lights (X axis)
 R4 distance from wall (Y axis)
TWT1151WK

Mounting height (m)	Below the light lux	R1 (m)	R2 (m)	R4 (m)
		1 lux	1 lux	1 lux
2,5	45	5	11	1
3	31	5	11	1
4	17	6.5	15	1
6	7	7	18	1
8	4	8	19	1
10	2	8	20	1

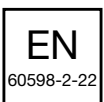
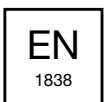
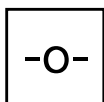
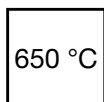
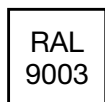
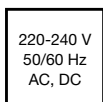


We reserve the rights to make modifications without notice.
 Copyright © 2021 Teknoware. All rights reserved.
 Date: January 08, 2021 | Source:
www.teknoware.com/en/emergency-lighting/slimspot-ii-line-midbay-emergency-light-twt115
 1wk



Teknoware Oy | P.O. Box 19, 15101 Lahti | Ilmarisentie 8, 15200 Lahti Finland
 Tel +358 3 883 020 | VAT-number FI01494751 | teknoware.com | emexit@teknoware.com

SLIMSPOT II LINE MIDBAY EMERGENCY LIGHT TWT1151WKP



Addressable 230 V centrally supplied emergency light

Slimspot II is a recessed emergency light that is effective and seamless. It has an elegant and minimalist appearance, so it blends in with the surroundings and architecture. The broad Slimspot II product family and range of optics offers many options to suit a variety of applications and systems. Slimspot II is designed for indoor lighting, and it has durable metal framing. The standard colour of the luminaire is white. On request, it is also possible to order Slimspot II in black and grey to match the surrounding environment.

The Slimspot II Line Midbay provides a long and narrow pattern that illuminates escape routes efficiently.

This model is equipped with local phase monitoring. The luminaire turns on when the central

We reserve the rights to make modifications without notice.

Copyright © 2021 Teknoware. All rights reserved.

Date: January 08, 2021 | Source:

www.teknoware.com/en/emergency-lighting/slimspot-ii-line-midbay-emergency-light-twt1151wkp



battery unit switches to emergency use and when the luminaire's own phase monitoring input loses power. This model is very well suited for hotel rooms, for example.

We reserve the rights to make modifications without notice.

Copyright © 2021 Teknoware. All rights reserved.

Date: January 08, 2021 | Source:

www.teknoware.com/en/emergency-lighting/slimspot-ii-line-midbay-emergency-light-twt1151wkp



Teknoware Oy | P.O. Box 19, 15101 Lahti | Ilmarisentie 8, 15200 Lahti Finland

Tel +358 3 883 020 | VAT-number FI01494751 | teknoware.com | emexit@teknoware.com

Product Code	TWT1151WKP
Feature	Intelligent Controller, Tapsa Control
Mounting (standard)	recess
Customs Code	94056080
GTIN Code	6438045024325
ETIM Product Class	EC001957
Length	90 mm
Width	90 mm
Height	47 mm
Weight	0.4 kg
Max Input Power VA	10 VA
Max Input Power W	5,5 W
Nominal Supply Voltage	220-240 V, 50/60 Hz AC, DC
Protection Class	I
IP Class	IP20
Temperature Range Min - Max	-30...+50 °C
Glow Wire Test of Plastic Materials	650 °C
Light Source	LED
Body Material	metal
Aperture for Recess Mounting	ø75 mm
Colour	RAL9003
Electrical Installation	3 x 2,5 mm ²
Luminous Flux	230 lm

Emergency lighting for escape routes (ceiling mounting)

Table of 1 lux for escape routes in the middle line according to the norm EN 1838.

Level of measurement 0,02 m, measurement result with battery operation.

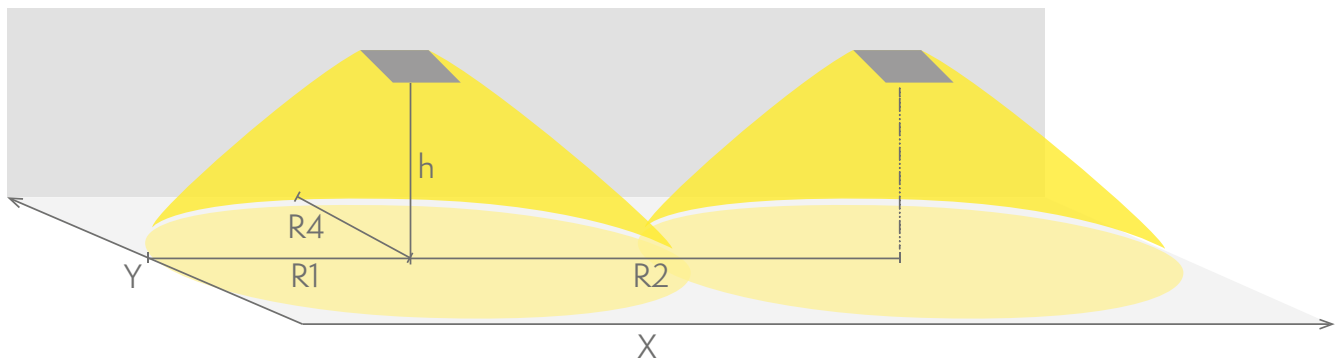
We reserve the rights to make modifications without notice.

Copyright © 2021 Teknoware. All rights reserved.

Date: January 08, 2021 | Source:

www.teknoware.com/en/emergency-lighting/slimspot-ii-line-midbay-emergency-light-twt1151wkp





R1 distance from wall (X axis)
 R2 installation distance between lights (X axis)
 R4 distance from wall (Y axis)

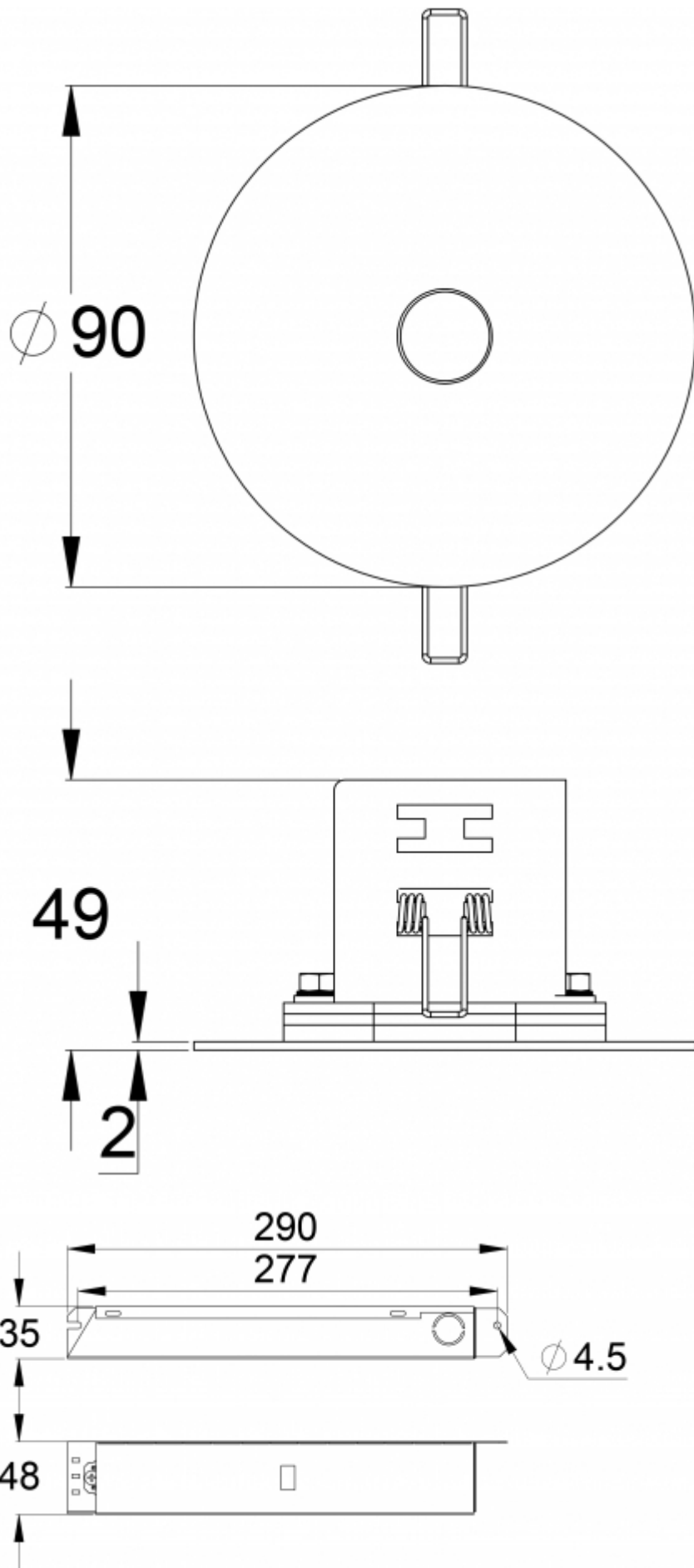
TWT1151WKP

Mounting height (m)	Below the light lux	R1 (m)	R2 (m)	R4 (m)
		1 lux	1 lux	1 lux
2,5	45	5	11	1
3	31	5	11	1
4	17	6.5	15	1
6	7	7	18	1
8	4	8	19	1
10	2	8	20	1

We reserve the rights to make modifications without notice.
 Copyright © 2021 Teknoware. All rights reserved.
 Date: January 08, 2021 | Source:
www.teknoware.com/en/emergency-lighting/slimspot-ii-line-midbay-emergency-light-twt1151wkp



Teknoware Oy | P.O. Box 19, 15101 Lahti | Ilmarisentie 8, 15200 Lahti Finland
 Tel +358 3 883 020 | VAT-number FI01494751 | teknoware.com | emexit@teknoware.com



We reserve the rights to make modifications without notice.

Copyright © 2021 Teknoware. All rights reserved.

Date: January 08, 2021 | Source:

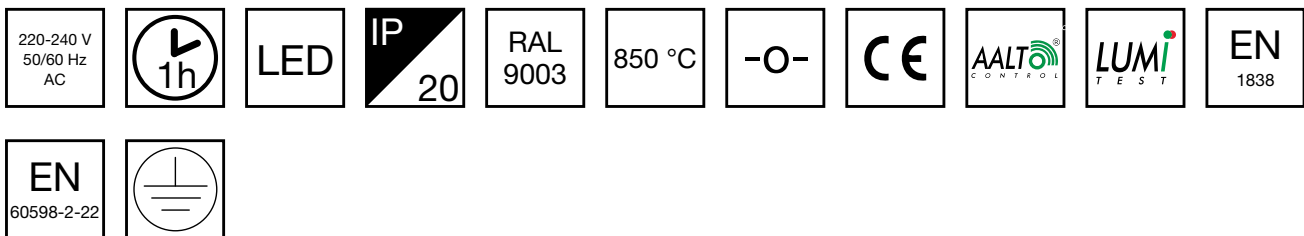
www.teknoware.com/en/emergency-lighting/slimspot-ii-line-midbay-emergency-light-twt115
1wkp



Teknoware Oy | P.O. Box 19, 15101 Lahti | Ilmarisentie 8, 15200 Lahti Finland

Tel +358 3 883 020 | VAT-number FI01494751 | teknoware.com | emexit@teknoware.com

SLIMSPOT II LINE MIDBAY EMERGENCY LIGHT TWT1152WA



Self-contained emergency light with 1 h battery and wireless central monitoring

Slimspot II is a recessed emergency light that is effective and seamless. It has an elegant and minimalist appearance, so it blends in with the surroundings and architecture. The broad Slimspot II product family and range of optics offers many options to suit a variety of applications and systems. Slimspot II is designed for indoor lighting, and it has durable metal framing. The standard colour of the luminaire is white. On request, it is also possible to order Slimspot II in black and grey to match the surrounding environment.

The Slimspot II Line Midbay provides a long and narrow pattern that illuminates escape routes **efficiently**.

We reserve the rights to make modifications without notice.

Copyright © 2021 Teknoware. All rights reserved.

Date: January 08, 2021 | Source:

www.teknoware.com/en/emergency-lighting/slimspot-ii-line-midbay-emergency-light-twt1152wa



Product Code	TWT1152WA
Feature	Aalto Control, Lumi Test
Mounting (standard)	recess
Customs Code	94056080
GTIN Code	6438045023618
ETIM Product Class	EC001957
Length	90 mm
Width	90 mm
Height	47 mm
Weight	0.6 kg
Backup	1 h
Max Input Power VA	3 VA
Nominal Supply Voltage	220-240 V, 50/60 Hz AC
Protection Class	I
IP Class	IP20
Temperature Range Min - Max	0...+35 °C
Glow Wire Test of Plastic Materials	850 °C
Light Source	LED
Body Material	metal
Aperture for Recess Mounting	ø75 mm
Colour	RAL9003
Electrical Installation	3 x 2,5 mm ²
Luminous Flux	230 lm

Emergency lighting for escape routes (ceiling mounting)

Table of 1 lux for escape routes in the middle line according to the norm EN 1838.

Level of measurement 0,02 m, measurement result with battery operation.

We reserve the rights to make modifications without notice.

Copyright © 2021 Teknoware. All rights reserved.

Date: January 08, 2021 | Source:

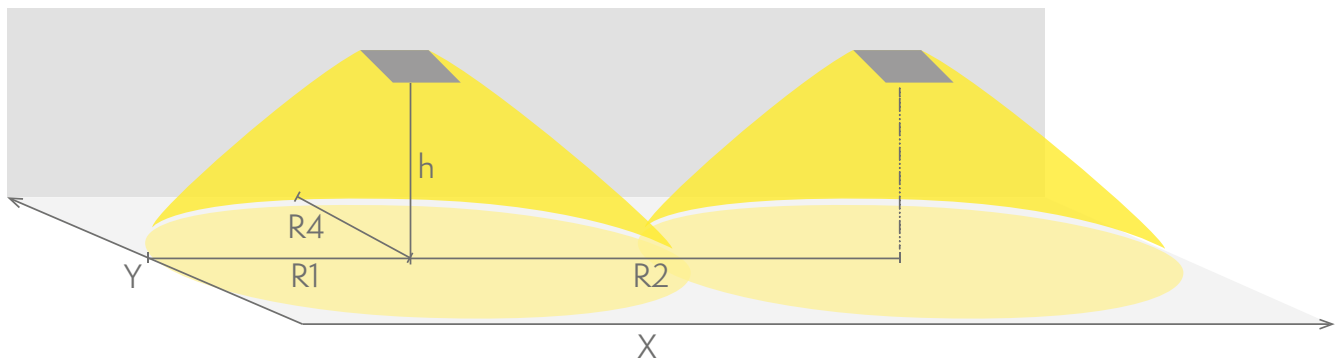
www.teknoware.com/en/emergency-lighting/slimspot-ii-line-midbay-emergency-light-twt115

2wa



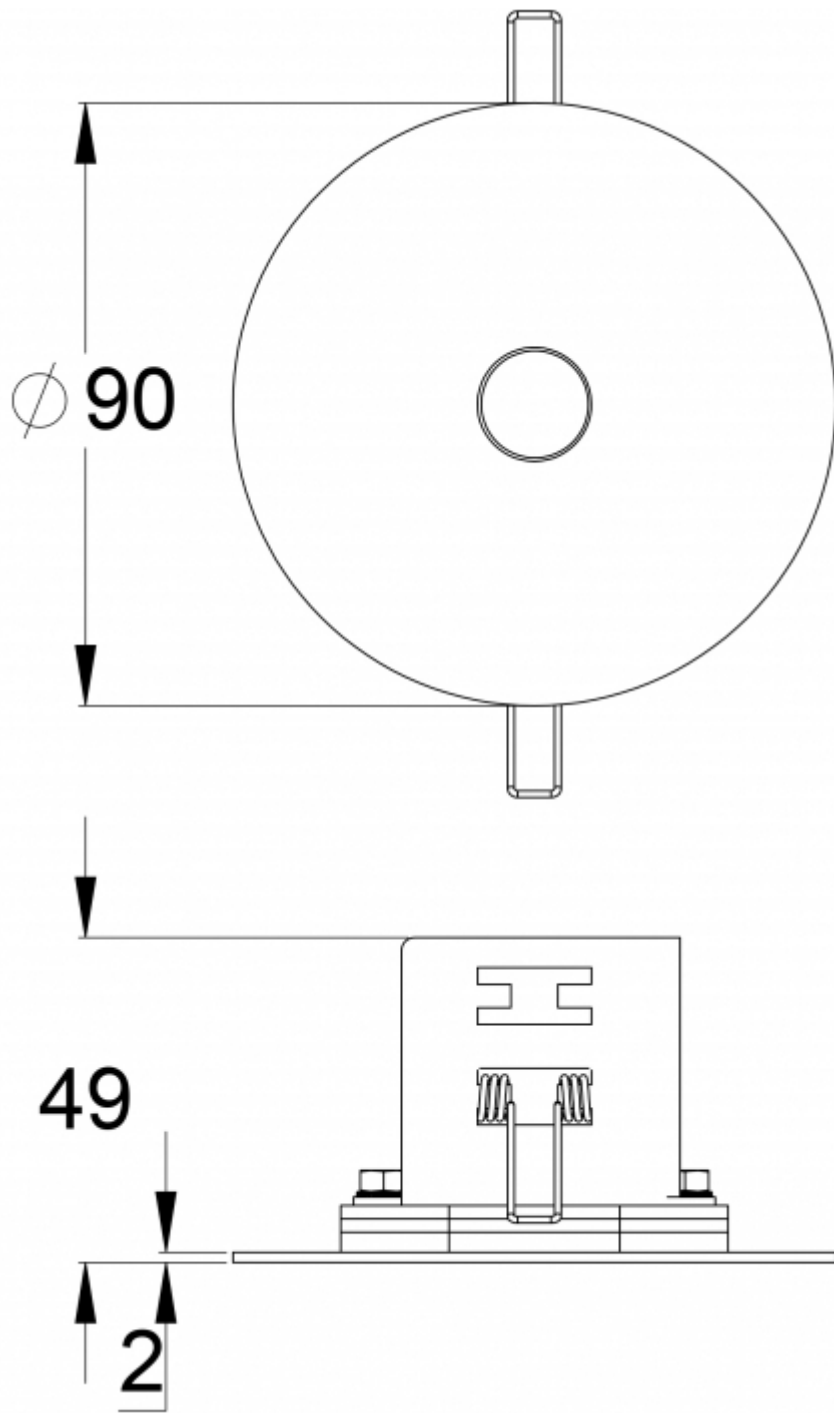
Teknoware Oy | P.O. Box 19, 15101 Lahti | Ilmarisentie 8, 15200 Lahti Finland

Tel +358 3 883 020 | VAT-number FI01494751 | teknoware.com | emexit@teknoware.com



R1 distance from wall (X axis)
 R2 installation distance between lights (X axis)
 R4 distance from wall (Y axis)
TWT1152WA

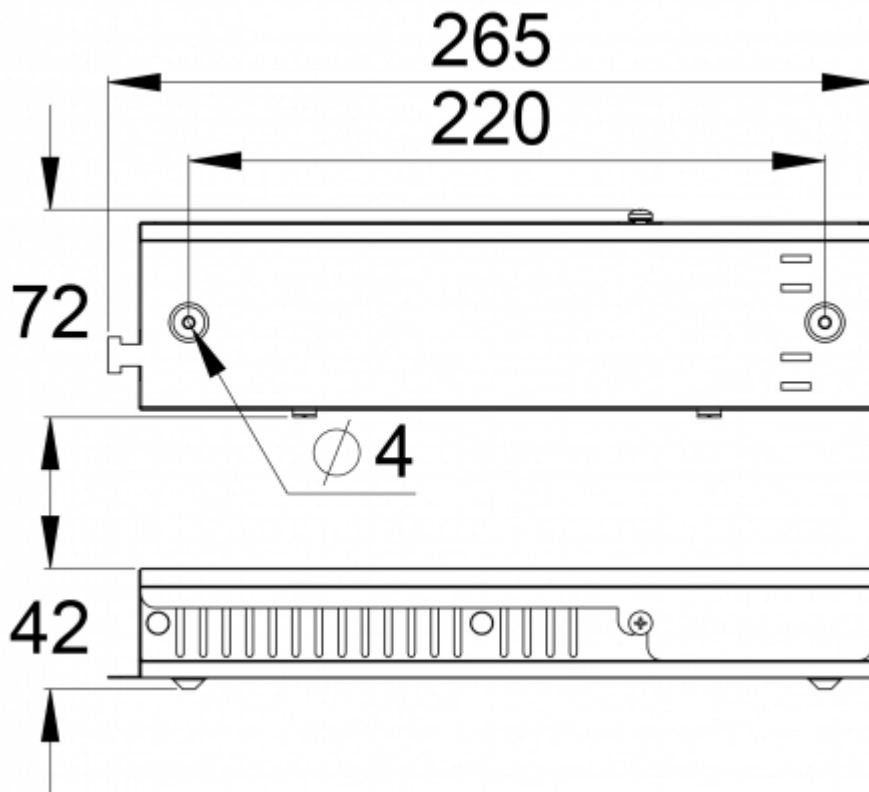
Mounting height (m)	Below the light lux	R1 (m)	R2 (m)	R4 (m)
		1 lux	1 lux	1 lux
2,5	45	5	11	1
3	31	5	11	1
4	17	6.5	15	1
6	7	7	18	1
8	4	8	19	1
10	2	8	20	1



We reserve the rights to make modifications without notice.
Copyright © 2021 Teknoware. All rights reserved.
Date: January 08, 2021 | Source:
www.teknoware.com/en/emergency-lighting/slimspot-ii-line-midbay-emergency-light-twt115-2wa



Teknoware Oy | P.O. Box 19, 15101 Lahti | Ilmarisentie 8, 15200 Lahti Finland
Tel +358 3 883 020 | VAT-number FI01494751 | teknoware.com | emexit@teknoware.com

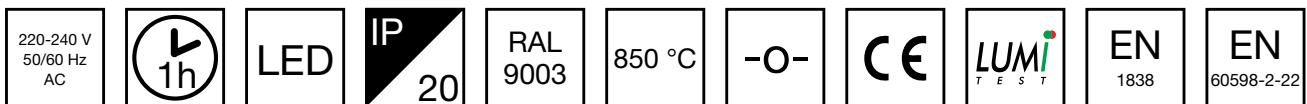


We reserve the rights to make modifications without notice.
 Copyright © 2021 Teknoware. All rights reserved.
 Date: January 08, 2021 | Source:
www.teknoware.com/en/emergency-lighting/slimspot-ii-line-midbay-emergency-light-twt115-2wa



Teknoware Oy | P.O. Box 19, 15101 Lahti | Ilmarisentie 8, 15200 Lahti Finland
 Tel +358 3 883 020 | VAT-number FI01494751 | teknoware.com | emexit@teknoware.com

SLIMSPOT II LINE MIDBAY EMERGENCY LIGHT TWT1152WM



Self-contained emergency light with 1 h battery and Lumi Test self-testing

Slimspot II is a recessed emergency light that is effective and seamless. It has an elegant and minimalist appearance, so it blends in with the surroundings and architecture. The broad Slimspot II product family and range of optics offers many options to suit a variety of applications and systems. Slimspot II is designed for indoor lighting, and it has durable metal framing. The standard colour of the luminaire is white. On request, it is also possible to order Slimspot II in black and grey to match the surrounding environment.

The Slimspot II Line Midbay provides a long and narrow pattern that illuminates escape routes **efficiently**.

We reserve the rights to make modifications without notice.

Copyright © 2021 Teknoware. All rights reserved.

Date: January 08, 2021 | Source:

www.teknoware.com/en/emergency-lighting/slimspot-ii-line-midbay-emergency-light-twt1152wm



Product Code	TWT1152WM
Feature	Lumi Test
Mounting (standard)	recess
Customs Code	94056080
GTIN Code	6438045023625
ETIM Product Class	EC001957
Length	90 mm
Width	90 mm
Height	47 mm
Weight	0.6 kg
Backup	1 h
Max Input Power VA	3 VA
Nominal Supply Voltage	220-240 V, 50/60 Hz AC
Protection Class	I
IP Class	IP20
Temperature Range Min - Max	0...+35 °C
Glow Wire Test of Plastic Materials	850 °C
Light Source	LED
Body Material	metal
Aperture for Recess Mounting	ø75 mm
Colour	RAL9003
Electrical Installation	3 x 2,5 mm ²
Luminous Flux	230 lm

Emergency lighting for escape routes (ceiling mounting)

Table of 1 lux for escape routes in the middle line according to the norm EN 1838.

Level of measurement 0,02 m, measurement result with battery operation.

We reserve the rights to make modifications without notice.

Copyright © 2021 Teknoware. All rights reserved.

Date: January 08, 2021 | Source:

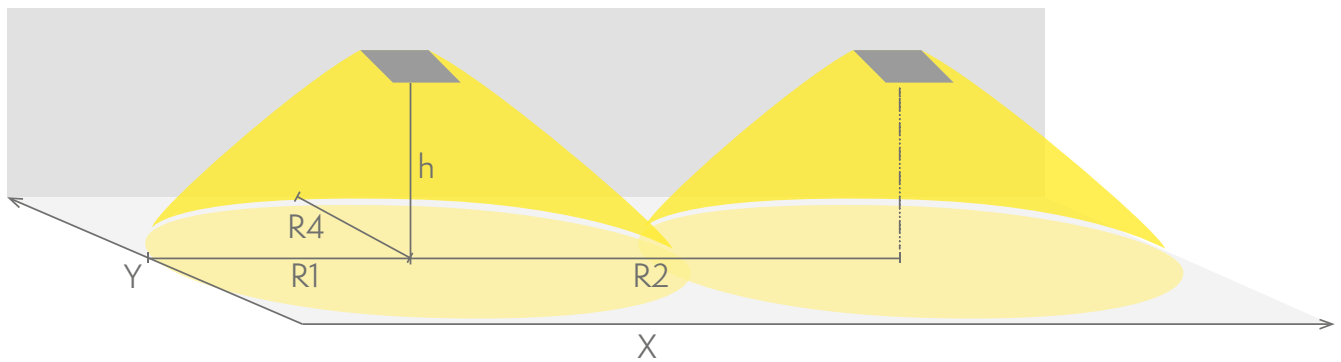
www.teknoware.com/en/emergency-lighting/slimspot-ii-line-midbay-emergency-light-twt115

2wm



Teknoware Oy | P.O. Box 19, 15101 Lahti | Ilmarisentie 8, 15200 Lahti Finland

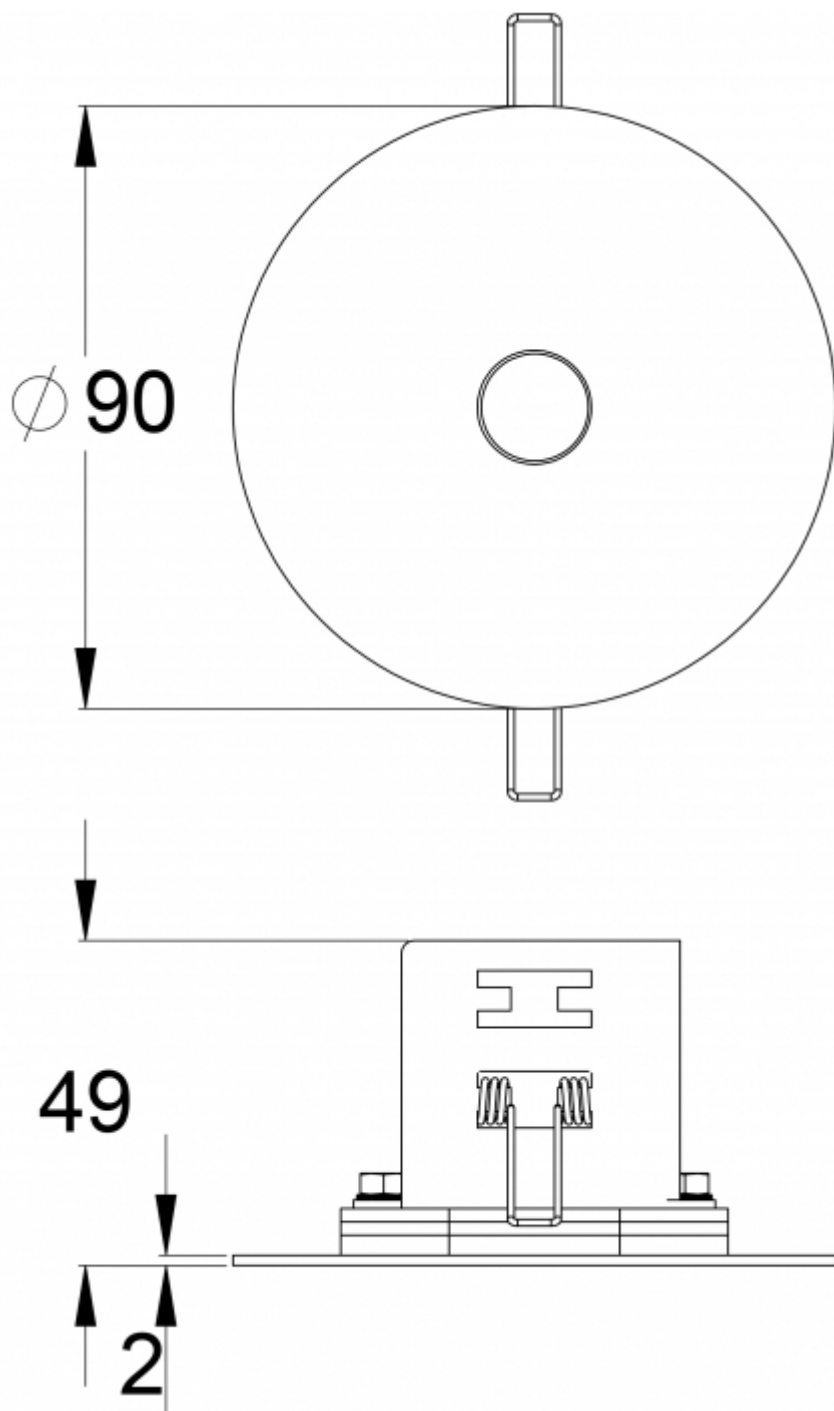
Tel +358 3 883 020 | VAT-number FI01494751 | teknoware.com | emexit@teknoware.com



R1 distance from wall (X axis)
 R2 installation distance between lights (X axis)
 R4 distance from wall (Y axis)

TWT1152WM

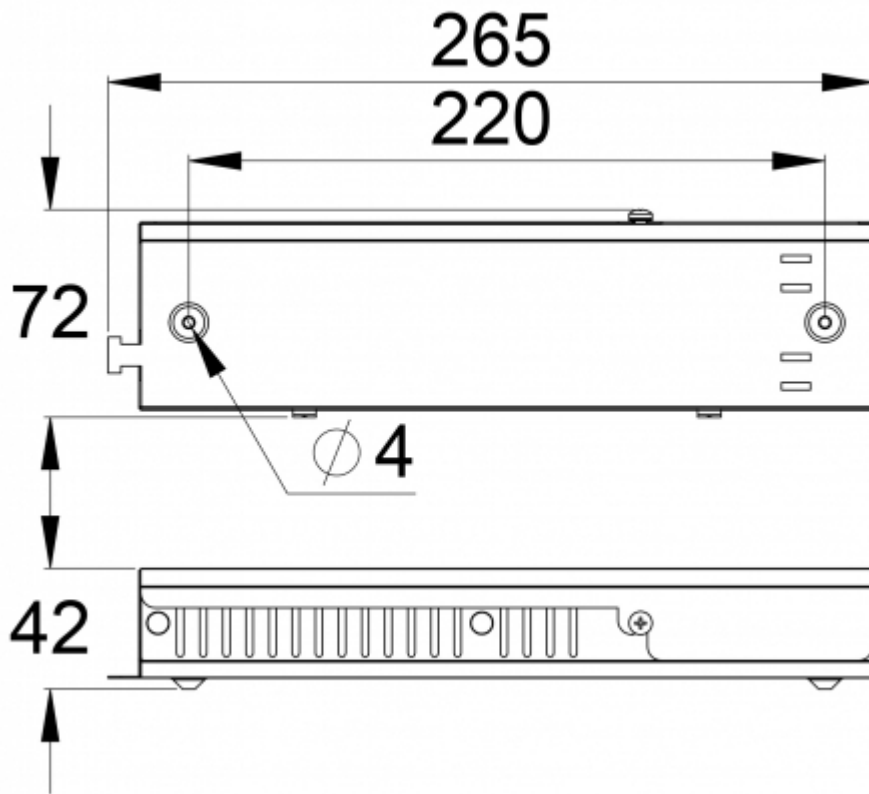
Mounting height (m)	Below the light lux	R1 (m)	R2 (m)	R4 (m)
		1 lux	1 lux	1 lux
2,5	45	5	11	1
3	31	5	11	1
4	17	6.5	15	1
6	7	7	18	1
8	4	8	19	1
10	2	8	20	1



We reserve the rights to make modifications without notice.
Copyright © 2021 Teknoware. All rights reserved.
Date: January 08, 2021 | Source:
www.teknoware.com/en/emergency-lighting/slimspot-ii-line-midbay-emergency-light-twt115-2wm



Teknoware Oy | P.O. Box 19, 15101 Lahti | Ilmarisentie 8, 15200 Lahti Finland
Tel +358 3 883 020 | VAT-number FI01494751 | teknoware.com | emexit@teknoware.com

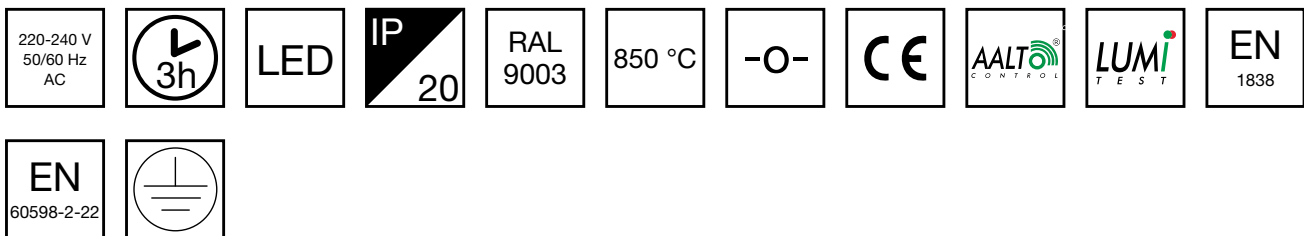


We reserve the rights to make modifications without notice.
Copyright © 2021 Teknoware. All rights reserved.
Date: January 08, 2021 | Source:
www.teknoware.com/en/emergency-lighting/slimspot-ii-line-midbay-emergency-light-twt115-2wm



Teknoware Oy | P.O. Box 19, 15101 Lahti | Ilmarisentie 8, 15200 Lahti Finland
Tel +358 3 883 020 | VAT-number FI01494751 | teknoware.com | emexit@teknoware.com

SLIMSPOT II LINE MIDBAY EMERGENCY LIGHT TWT1153WA



Self-contained 3 h battery, Aalto Control compatible emergency light

Slimspot II is a recessed emergency light that is effective and seamless. It has an elegant and minimalist appearance, so it blends in with the surroundings and architecture. The broad Slimspot II product family and range of optics offers many options to suit a variety of applications and systems. Slimspot II is designed for indoor lighting, and it has durable metal framing. The standard colour of the luminaire is white. On request, it is also possible to order Slimspot II in black and grey to match the surrounding environment.

The Slimspot II Line Midbay provides a long and narrow pattern that illuminates escape routes **efficiently**.

We reserve the rights to make modifications without notice.

Copyright © 2021 Teknoware. All rights reserved.

Date: January 08, 2021 | Source:

www.teknoware.com/en/emergency-lighting/slimspot-ii-line-midbay-emergency-light-twt1153wa



Product Code	TWT1153WA
Feature	Aalto Control, Lumi Test
Mounting (standard)	recess
Customs Code	94056080
GTIN Code	6438045023632
ETIM Product Class	EC001957
Length	90 mm
Width	90 mm
Height	47 mm
Weight	0.8 kg
Backup	3 h
Max Input Power VA	6 VA
Nominal Supply Voltage	220-240 V, 50/60 Hz AC
Protection Class	I
IP Class	IP20
Temperature Range Min - Max	0...+35 °C
Glow Wire Test of Plastic Materials	850 °C
Light Source	LED
Body Material	metal
Aperture for Recess Mounting	ø75 mm
Colour	RAL9003
Electrical Installation	3 x 2,5 mm ²
Luminous Flux	230 lm

Emergency lighting for escape routes (ceiling mounting)

Table of 1 lux for escape routes in the middle line according to the norm EN 1838.

Level of measurement 0,02 m, measurement result with battery operation.

We reserve the rights to make modifications without notice.

Copyright © 2021 Teknoware. All rights reserved.

Date: January 08, 2021 | Source:

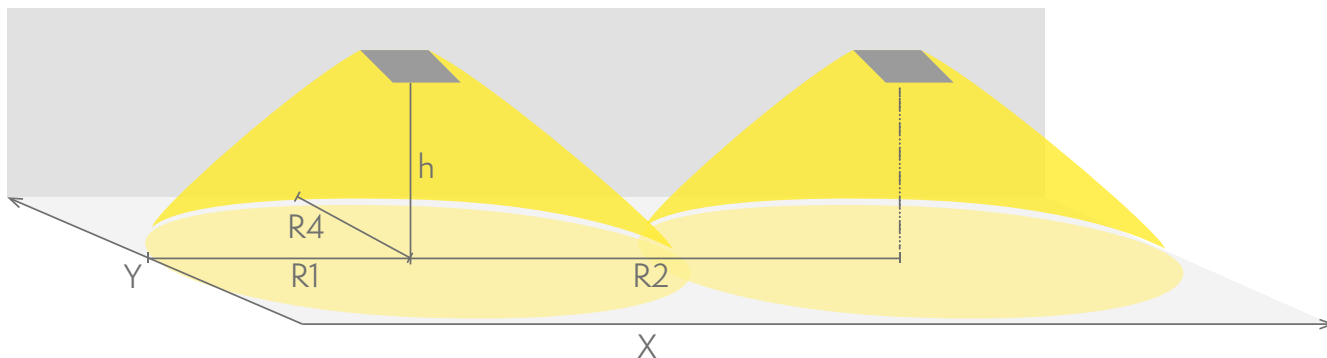
www.teknoware.com/en/emergency-lighting/slimspot-ii-line-midbay-emergency-light-twt115

3wa



Teknoware Oy | P.O. Box 19, 15101 Lahti | Ilmarisentie 8, 15200 Lahti Finland

Tel +358 3 883 020 | VAT-number FI01494751 | teknoware.com | emexit@teknoware.com



R1 distance from wall (X axis)
 R2 installation distance between lights (X axis)
 R4 distance from wall (Y axis)

TWT1153WA

Mounting height (m)	Below the light lux	R1 (m)	R2 (m)	R4 (m)
		1 lux	1 lux	1 lux
2,5	45	5	11	1
3	31	5	11	1
4	17	6.5	15	1
6	7	7	18	1
8	4	8	19	1
10	2	8	20	1

We reserve the rights to make modifications without notice.

Copyright © 2021 Teknoware. All rights reserved.

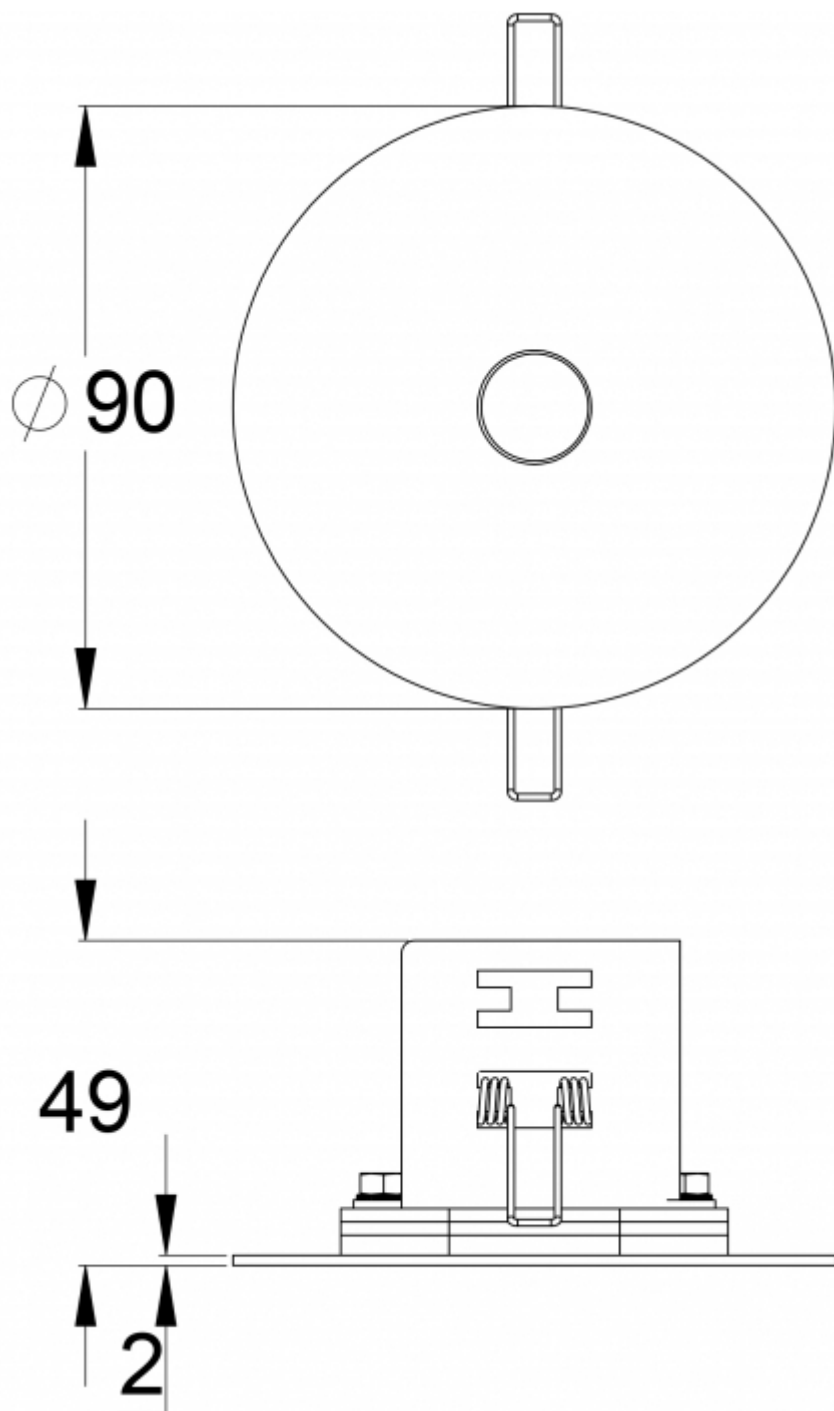
Date: January 08, 2021 | Source:

www.teknoware.com/en/emergency-lighting/slimspot-ii-line-midbay-emergency-light-twt1153wa



Teknoware Oy | P.O. Box 19, 15101 Lahti | Ilmarisentie 8, 15200 Lahti Finland

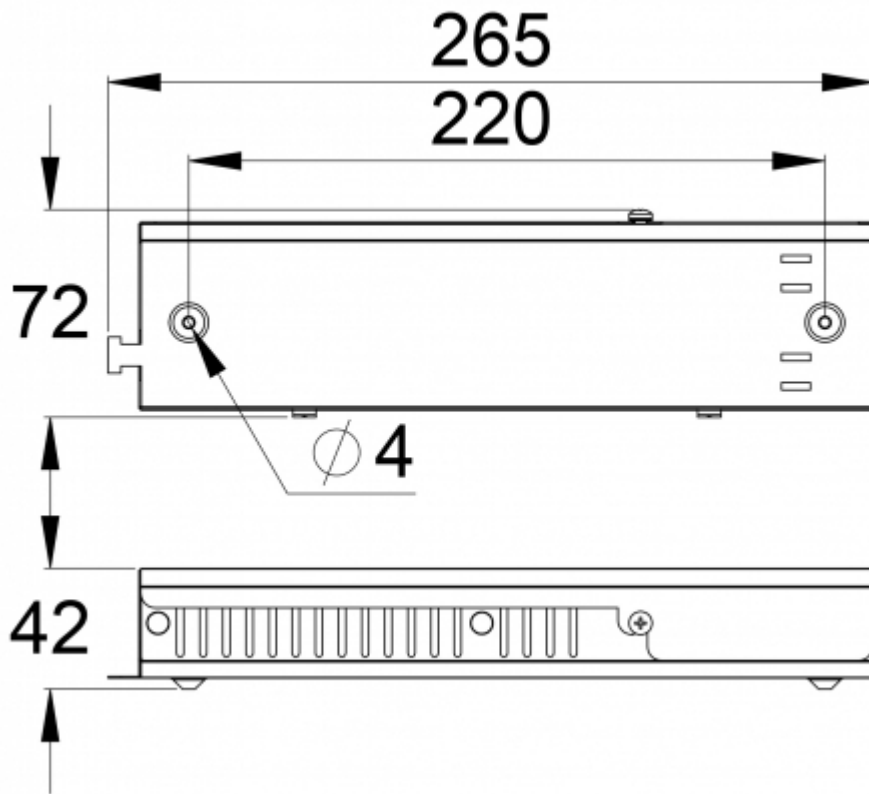
Tel +358 3 883 020 | VAT-number FI01494751 | teknoware.com | emexit@teknoware.com



We reserve the rights to make modifications without notice.
Copyright © 2021 Teknoware. All rights reserved.
Date: January 08, 2021 | Source:
www.teknoware.com/en/emergency-lighting/slimspot-ii-line-midbay-emergency-light-twt1153wa



Teknoware Oy | P.O. Box 19, 15101 Lahti | Ilmarisentie 8, 15200 Lahti Finland
Tel +358 3 883 020 | VAT-number FI01494751 | teknoware.com | emexit@teknoware.com

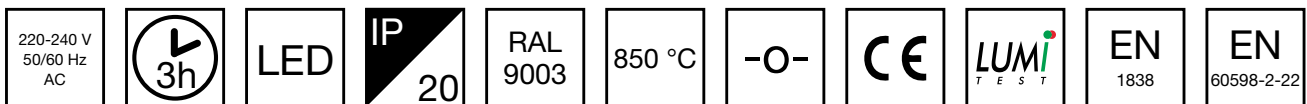


We reserve the rights to make modifications without notice.
Copyright © 2021 Teknoware. All rights reserved.
Date: January 08, 2021 | Source:
www.teknoware.com/en/emergency-lighting/slimspot-ii-line-midbay-emergency-light-twt115-3wa



Teknoware Oy | P.O. Box 19, 15101 Lahti | Ilmarisentie 8, 15200 Lahti Finland
Tel +358 3 883 020 | VAT-number FI01494751 | teknoware.com | emexit@teknoware.com

SLIMSPOT II LINE MIDBAY EMERGENCY LIGHT TWT1153WM



Self-contained 3 h battery with Lumi Test self-testing emergency light

Slimspot II is a recessed emergency light that is effective and seamless. It has an elegant and minimalist appearance, so it blends in with the surroundings and architecture. The broad Slimspot II product family and range of optics offers many options to suit a variety of applications and systems. Slimspot II is designed for indoor lighting, and it has durable metal framing. The standard colour of the luminaire is white. On request, it is also possible to order Slimspot II in black and grey to match the surrounding environment.

The Slimspot II Line Midbay provides a long and narrow pattern that illuminates escape routes **efficiently**.

We reserve the rights to make modifications without notice.

Copyright © 2021 Teknoware. All rights reserved.

Date: January 08, 2021 | Source:

www.teknoware.com/en/emergency-lighting/slimspot-ii-line-midbay-emergency-light-twt1153wm



Product Code	TWT1153WM
Feature	Lumi Test
Mounting (standard)	recess
Customs Code	94056080
GTIN Code	6438045023649
ETIM Product Class	EC001957
Length	90 mm
Width	90 mm
Height	47 mm
Weight	0.8 kg
Backup	3 h
Max Input Power VA	6 VA
Nominal Supply Voltage	220-240 V, 50/60 Hz AC
Protection Class	I
IP Class	IP20
Temperature Range Min - Max	0...+35 °C
Glow Wire Test of Plastic Materials	850 °C
Light Source	LED
Body Material	metal
Aperture for Recess Mounting	ø75 mm
Colour	RAL9003
Electrical Installation	3 x 2,5 mm ²
Luminous Flux	230 lm

Emergency lighting for escape routes (ceiling mounting)

Table of 1 lux for escape routes in the middle line according to the norm EN 1838.

Level of measurement 0,02 m, measurement result with battery operation.

We reserve the rights to make modifications without notice.

Copyright © 2021 Teknoware. All rights reserved.

Date: January 08, 2021 | Source:

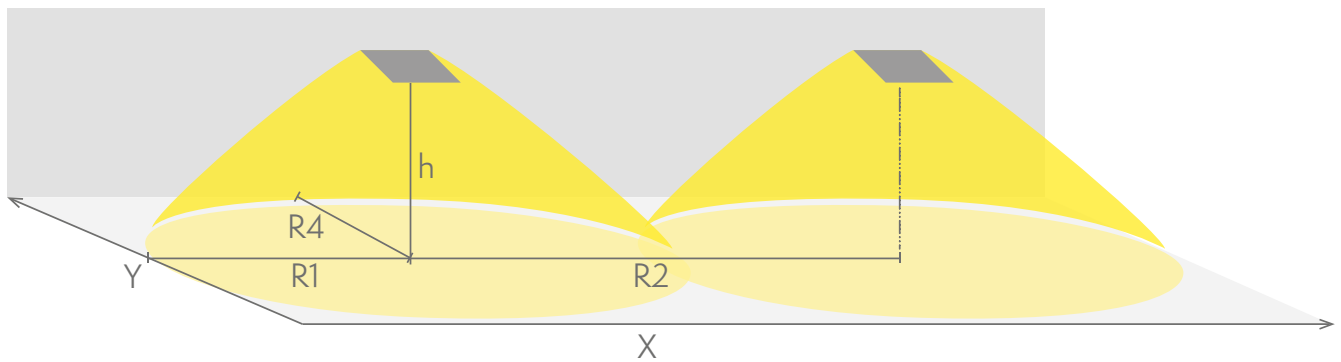
www.teknoware.com/en/emergency-lighting/slimspot-ii-line-midbay-emergency-light-twt115

3wm



Teknoware Oy | P.O. Box 19, 15101 Lahti | Ilmarisentie 8, 15200 Lahti Finland

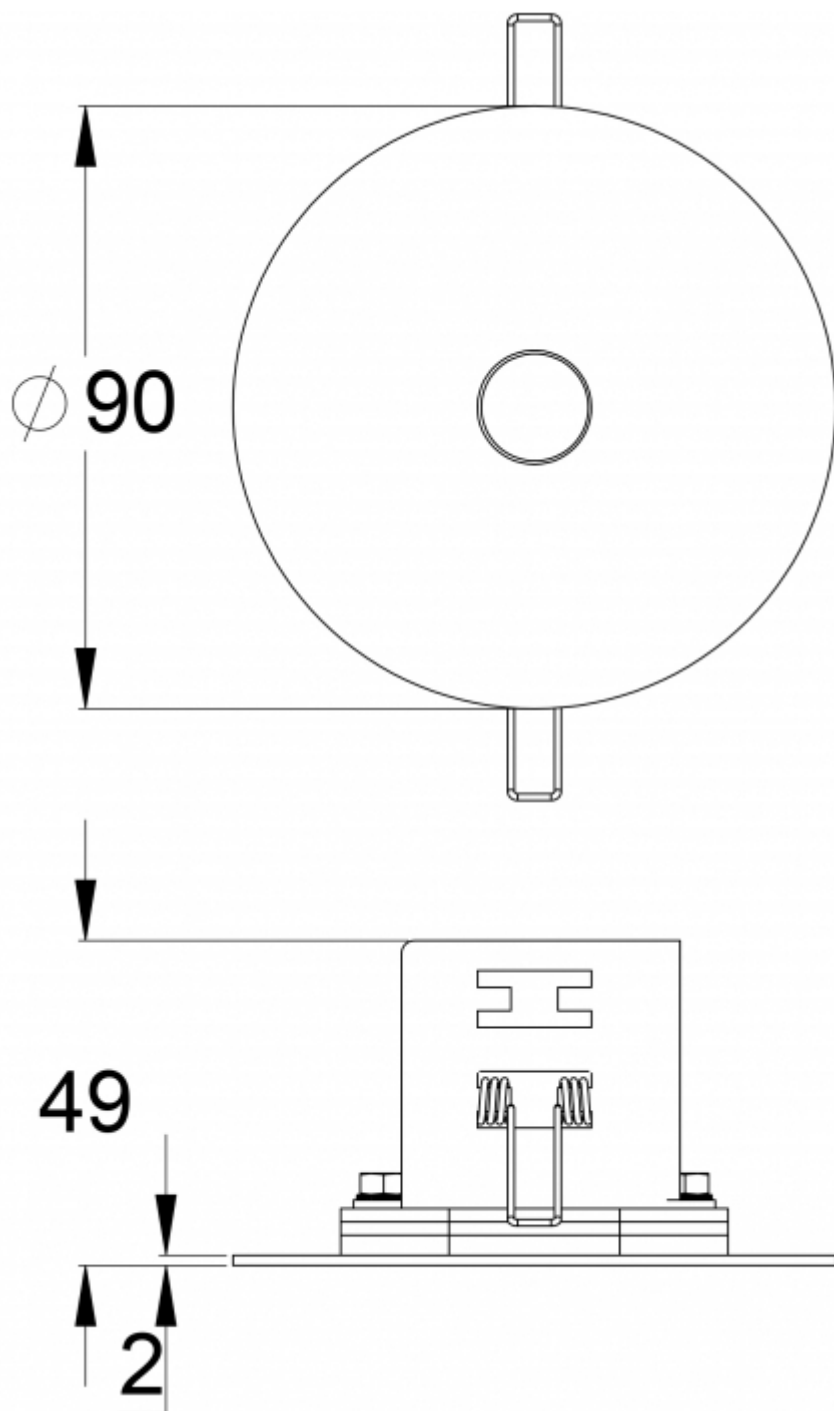
Tel +358 3 883 020 | VAT-number FI01494751 | teknoware.com | emexit@teknoware.com



R1 distance from wall (X axis)
 R2 installation distance between lights (X axis)
 R4 distance from wall (Y axis)

TWT1153WM

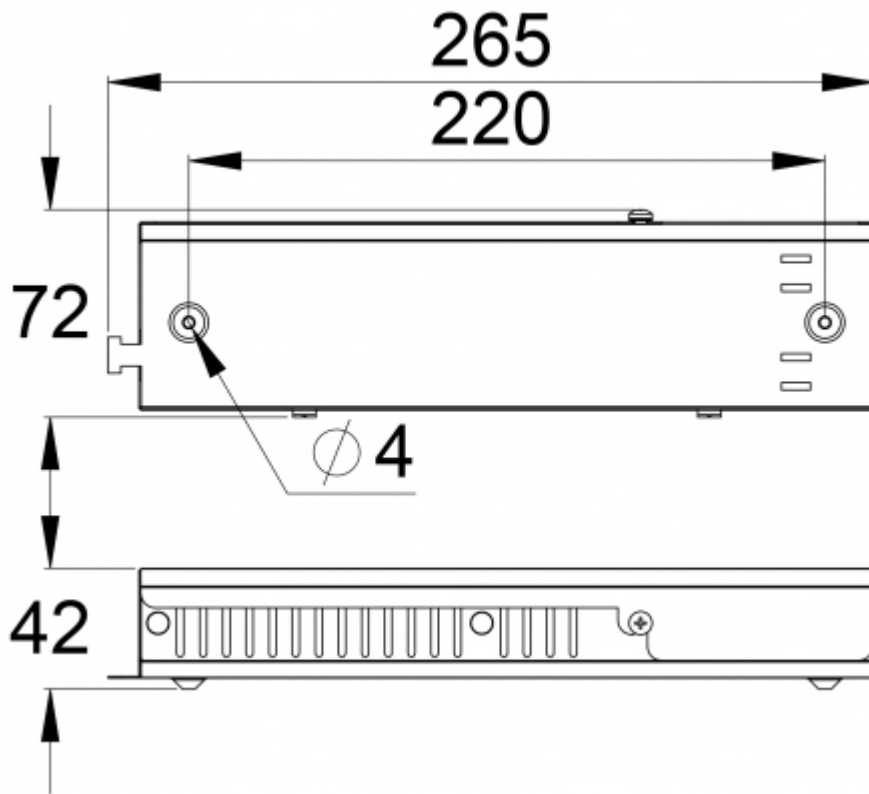
Mounting height (m)	Below the light lux	R1 (m)	R2 (m)	R4 (m)
		1 lux	1 lux	1 lux
2,5	45	5	11	1
3	31	5	11	1
4	17	6.5	15	1
6	7	7	18	1
8	4	8	19	1
10	2	8	20	1



We reserve the rights to make modifications without notice.
Copyright © 2021 Teknoware. All rights reserved.
Date: January 08, 2021 | Source:
www.teknoware.com/en/emergency-lighting/slimspot-ii-line-midbay-emergency-light-twt115-3wm



Teknoware Oy | P.O. Box 19, 15101 Lahti | Ilmarisentie 8, 15200 Lahti Finland
Tel +358 3 883 020 | VAT-number FI01494751 | teknoware.com | emexit@teknoware.com

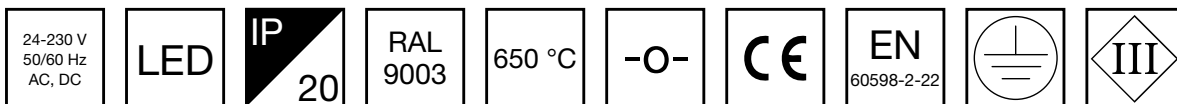


We reserve the rights to make modifications without notice.
Copyright © 2021 Teknoware. All rights reserved.
Date: January 08, 2021 | Source:
www.teknoware.com/en/emergency-lighting/slimspot-ii-line-midbay-emergency-light-twt115-3wm



Teknoware Oy | P.O. Box 19, 15101 Lahti | Ilmarisentie 8, 15200 Lahti Finland
Tel +358 3 883 020 | VAT-number FI01494751 | teknoware.com | emexit@teknoware.com

SLIMSPOT II LINE MIDBAY EMERGENCY LIGHT TWT1171W



24-230 V centrally supplied emergency light

Slimspot II is a recessed emergency light that is effective and seamless. It has an elegant and minimalist appearance, so it blends in with the surroundings and architecture. The broad Slimspot II product family and range of optics offers many options to suit a variety of applications and systems. Slimspot II is designed for indoor lighting, and it has durable metal framing. The standard colour of the luminaire is white. On request, it is also possible to order Slimspot II in black and grey to match the surrounding environment.

The Slimspot II Line Midbay provides a long and narrow pattern that illuminates escape routes efficiently.

Product Code	TWT1171W
Mounting (standard)	recess
Customs Code	94056080
GTIN Code	6438045024769
ETIM Product Class	EC001957
Length	90 mm
Width	90 mm
Height	47 mm
Weight	0.4 kg
Max Input Power VA	7,5 VA (24 V), 11 VA (230 V)
Max Input Power W	4 W (24 V), 4 W (230 V)
Nominal Supply Voltage	24-230 V, 50/60 Hz AC, DC
Protection Class	III (24 V), I (230 V)
IP Class	IP20
Temperature Range Min - Max	-30...+50 °C
Glow Wire Test of Plastic Materials	650 °C
Light Source	LED
Body Material	metal
Aperture for Recess Mounting	ø75 mm
Colour	RAL9003
Electrical Installation	2 x 2,5 mm ² (24 V), 3 x 2,5 mm ² (230 V)
Luminous Flux	230 lm

Emergency lighting for escape routes (ceiling mounting)

Table of 1 lux for escape routes in the middle line according to the norm EN 1838.

Level of measurement 0,02 m, measurement result with battery operation.

We reserve the rights to make modifications without notice.

Copyright © 2021 Teknoware. All rights reserved.

Date: January 08, 2021 | Source:

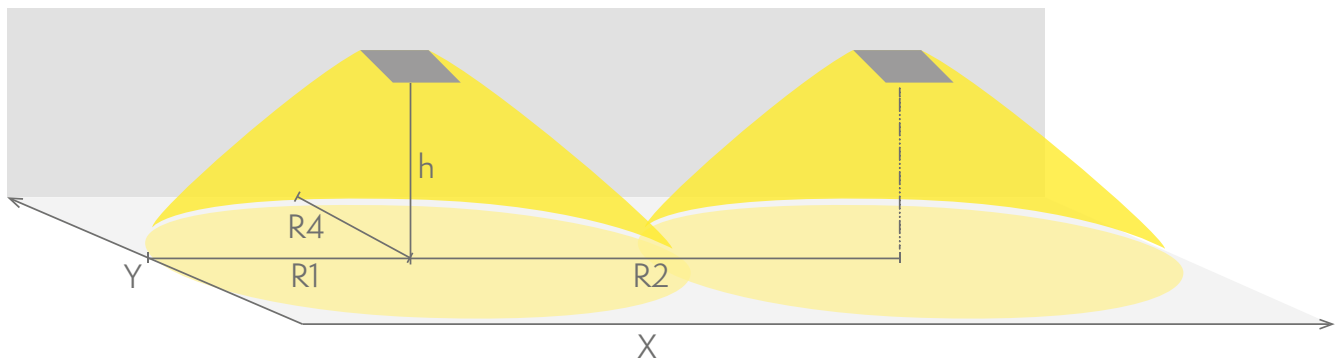
www.teknoware.com/en/emergency-lighting/slimspot-ii-line-midbay-emergency-light-twt1171

w



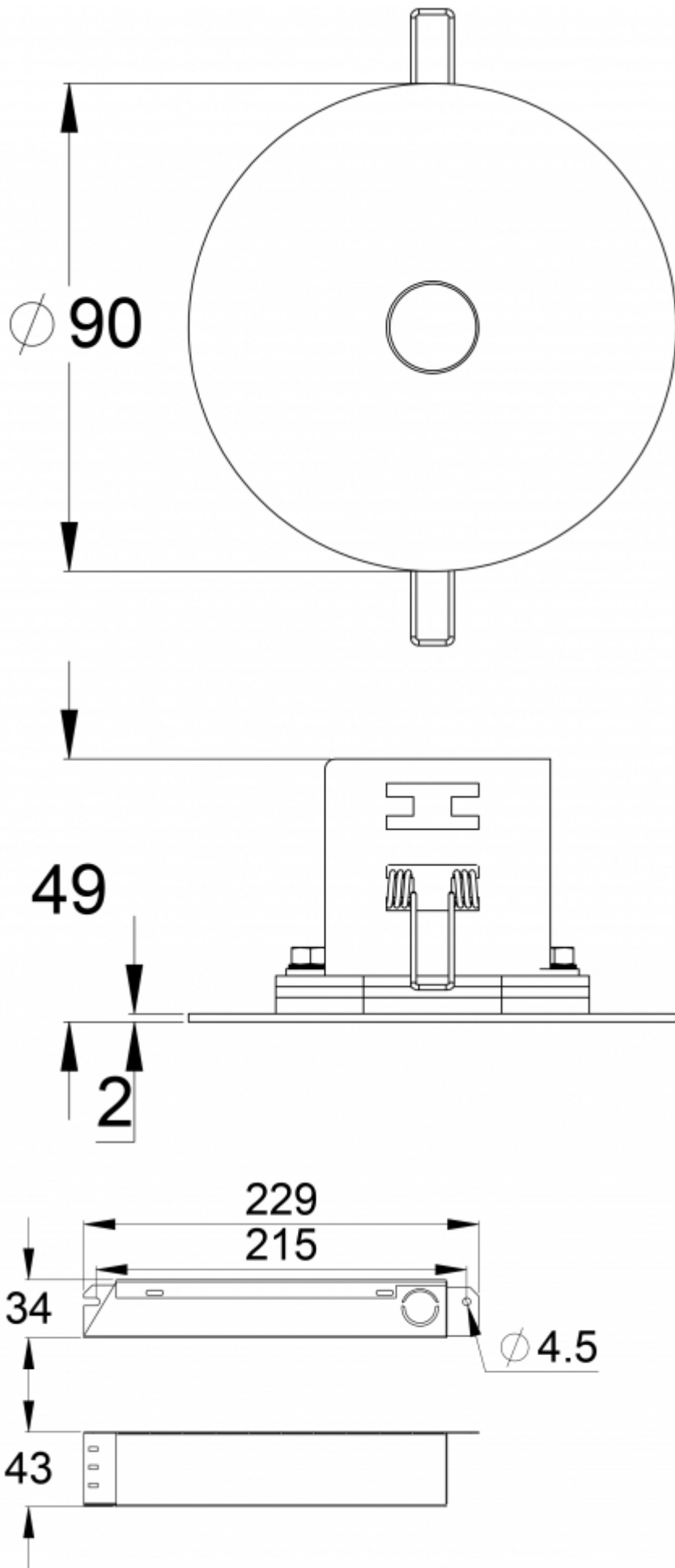
Teknoware Oy | P.O. Box 19, 15101 Lahti | Ilmarisentie 8, 15200 Lahti Finland

Tel +358 3 883 020 | VAT-number FI01494751 | teknoware.com | emexit@teknoware.com



R1 distance from wall (X axis)
 R2 installation distance between lights (X axis)
 R4 distance from wall (Y axis)
TWT1171W

Mounting height (m)	Below the light lux	R1 (m)	R2 (m)	R4 (m)
		1 lux	1 lux	1 lux
2,5	45	5	11	1
3	31	5	11	1
4	17	6.5	15	1
6	7	7	18	1
8	4	8	19	1
10	2	8	20	1



We reserve the rights to make modifications without notice.
 Copyright © 2021 Teknoware. All rights reserved.
 Date: January 08, 2021 | Source:
www.teknoware.com/en/emergency-lighting/slimspot-ii-line-midbay-emergency-light-twt1171
 w

