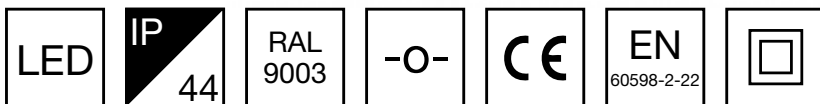


# ZONESPOT II: HIGHBAY, SURFACE-MOUNTED EMERGENCY LIGHTS



Zonespot II Highbay, TWT8456WK, is a High Output emergency light, designed for illuminating 6-30 meter high open spaces.

The luminaire is easily surface mounted, thanks to a separate mounting base, into which the power supply is also connected.

We reserve the rights to make modifications without notice.

Copyright © 2021 Teknoware. All rights reserved.

Date: February 18, 2021 | Source:

[www.teknoware.com/en/emergency-lighting/emergency-lights/emergency-light-product-families/zonespot-ii-highbay-surface-mounted-emergency-lights](http://www.teknoware.com/en/emergency-lighting/emergency-lights/emergency-light-product-families/zonespot-ii-highbay-surface-mounted-emergency-lights)



Teknoware Oy | P.O. Box 19, 15101 Lahti | Ilmarisentie 8, 15200 Lahti Finland  
Tel +358 3 883 020 | VAT-number FI01494751 | [teknoware.com](http://teknoware.com) | [emexit@teknoware.com](mailto:emexit@teknoware.com)

Zonespot II Highbay takes advantage of the latest LED technology. Its optics are designed to illuminate open areas effectively, especially in high spaces. Thanks to the IP44 enclosure class, Zonespot II is also suitable for damp locations.

The product codes starting with letter Y include an individually packed luminaire. The product codes starting with TW include the luminaire only.

## SELF-CONTAINED EMERGENCY LIGHTS WITH BATTERY AND SELF-TESTING

Product Code	Nominal Supply Voltage	Feature	Backup (h)
TWT8452WM	220-240 V, 50/60 Hz AC	Lumi Test	1
TWT8453WM	220-240 V, 50/60 Hz AC	Lumi Test	3

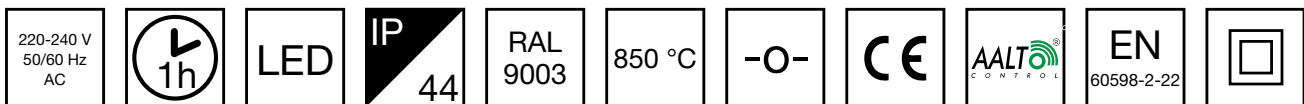
## SELF-CONTAINED EMERGENCY LIGHTS WITH BATTERY AND WIRELESS CENTRAL MONITORING

Product Code	Nominal Supply Voltage	Feature	Backup (h)
TWT8452WA	220-240 V, 50/60 Hz AC	Aalto Control	1
TWT8453WA	220-240 V, 50/60 Hz AC	Aalto Control	3

## ADDRESSABLE 230 V CENTRALLY SUPPLIED EMERGENCY LIGHTS

Product Code	Nominal Supply Voltage	Feature
TWT8456WK	220-240 V, 50/60 Hz AC, DC	Intelligent Controller, Tapsa Control
Y8456WK	220-240 V, 50/60 Hz AC, DC	Intelligent Controller, Tapsa Control

# ZONESPOT II HIGHBAY LED EMERGENCY LIGHT TWT8452WA



## Self-contained LED Emergency Light with 1 h Battery and Wireless Central Monitoring

Zonespot II Highbay TWT8452WA emergency light is recommended for installation heights of 10 to 16 m. The luminaire is easily surface mounted, thanks to a separate mounting base, into which the power supply is also connected.

Zonespot II Highbay takes advantage of the latest LED technology. Its optics are designed to illuminate open areas effectively, especially in high spaces. Thanks to the IP44 enclosure class, Zonespot II is also suitable for damp locations.

We reserve the rights to make modifications without notice.  
Copyright © 2021 Teknoware. All rights reserved.  
Date: February 18, 2021 | Source:  
[www.teknoware.com/en/emergency-lighting/zonespot-ii-highbay-led-emergency-light-twt8452wa](http://www.teknoware.com/en/emergency-lighting/zonespot-ii-highbay-led-emergency-light-twt8452wa)



Teknoware Oy | P.O. Box 19, 15101 Lahti | Ilmarisentie 8, 15200 Lahti Finland  
Tel +358 3 883 020 | VAT-number FI01494751 | [teknoware.com](http://teknoware.com) | [emexit@teknoware.com](mailto:emexit@teknoware.com)

Product Code	TWT8452WA
Feature	Aalto Control
Mounting (standard)	surface
Mounting (optional)	pendel
GTIN Code	6438045023809
ETIM Product Class	EC001957
Length	180 mm
Width	50 mm
Height	180 mm
Weight	0,7 kg
Backup	1 h
Max Input Power VA	3 VA
Nominal Supply Voltage	220-240 V, 50/60 Hz AC
Protection Class	II
IP Class	IP44
Temperature Range Min - Max	0...+35 °C
Glow Wire Test of Plastic Materials	850 °C
Light Source	LED
Body Material	plastic
Colour	RAL9003
Electrical Installation	2/3 x 2,5 mm <sup>2</sup>
Luminous Flux	220 lm

## Emergency lighting for open areas (ceiling mounting)

Table of 0,5 lux for open areas according to the norm EN 1838, 0,5 m edge district is considered in the table.

Level of measurement 0,02 m, measurement result with battery operation.

We reserve the rights to make modifications without notice.

Copyright © 2021 Teknoware. All rights reserved.

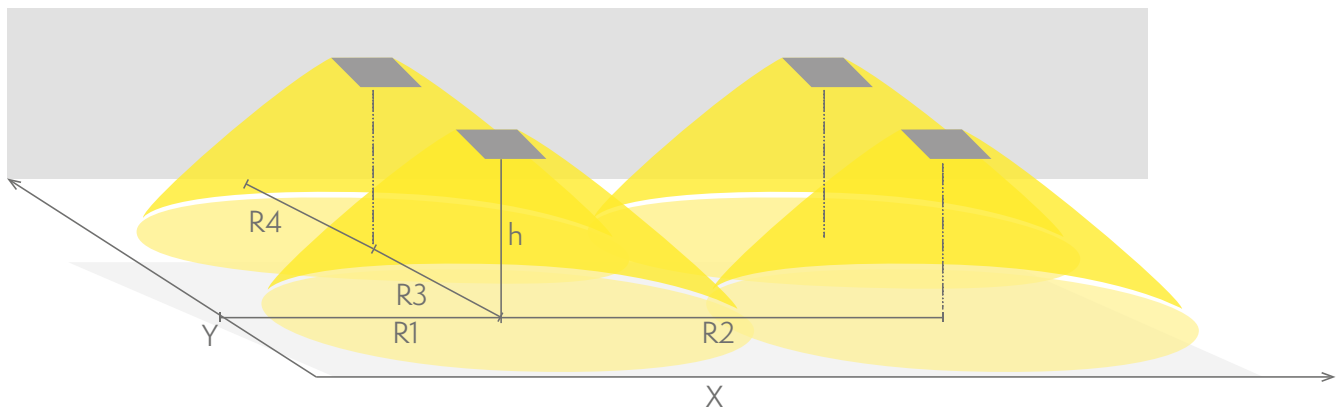
Date: February 18, 2021 | Source:

[www.teknoware.com/en/emergency-lighting/zonespot-ii-highbay-led-emergency-light-twt8452wa](http://www.teknoware.com/en/emergency-lighting/zonespot-ii-highbay-led-emergency-light-twt8452wa)



Teknoware Oy | P.O. Box 19, 15101 Lahti | Ilmarisentie 8, 15200 Lahti Finland

Tel +358 3 883 020 | VAT-number FI01494751 | [teknoware.com](http://teknoware.com) | [emexit@teknoware.com](mailto:emexit@teknoware.com)



- R1 distance from wall (X axis)
- R2 installation distance between lights (X axis)
- R3 installation distance between lights (Y axis)
- R4 distance from wall (Y axis)

## TWT8452WA

Mounting height (m)	Below the light lux	R1 (m)	R2 (m)	R3 (m)	R4 (m)
		0,5 lux	0,5 lux	0,5 lux	0,5 lux
4	27	3	7	7	3
6	12	3	7	7	3
8	7	3	7	7	3
10	4,5	3	7,5	7,5	3
12	3	3,5	8	8	3,5
14	2	3,5	8	8	3,5
16	1,5	3,5	8	8	3,5

## OPTIONAL ACCESSORIES:

### SHOCK PROTECTING COVERS FOR EMERGENCY LIGHTS



Product Code	Product Name	Compatible Product Groups
TW77507B	Shock protecting cover TW77507B	ESC 10 Emergency Exit Lights, ESC 80 Emergency Exit Lights

We reserve the rights to make modifications without notice.  
 Copyright © 2021 Teknoware. All rights reserved.  
 Date: February 18, 2021 | Source:  
[www.teknoware.com/en/emergency-lighting/zonespot-ii-highbay-led-emergency-light-twt8452wa](http://www.teknoware.com/en/emergency-lighting/zonespot-ii-highbay-led-emergency-light-twt8452wa)



# OPTIONAL MOUNTING ACCESSORIES FOR EMERGENCY LIGHTS

Product Code	Product Name	Compatible Product Groups
TW77504F	Suspension bracket TW77504F	Linespot II: Lowbay, Surface-Mounted Emergency Lights, Zonespot II: Lowbay, Surface-Mounted Emergency Lights, Zonespot II: Midbay, Surface-Mounted Emergency Lights, Linespot II: Midbay, Surface-Mounted Emergency Lights, Zonespot II: Highbay, Surface-Mounted Emergency Lights

We reserve the rights to make modifications without notice.

Copyright © 2021 Teknoware. All rights reserved.

Date: February 18, 2021 | Source:

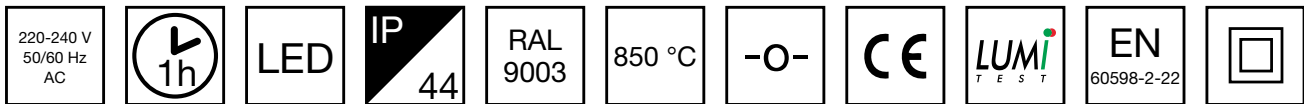
[www.teknoware.com/en/emergency-lighting/zonespot-ii-highbay-led-emergency-light-twt8452wa](http://www.teknoware.com/en/emergency-lighting/zonespot-ii-highbay-led-emergency-light-twt8452wa)



Teknoware Oy | P.O. Box 19, 15101 Lahti | Ilmarisentie 8, 15200 Lahti Finland

Tel +358 3 883 020 | VAT-number FI01494751 | [teknoware.com](http://teknoware.com) | [emexit@teknoware.com](mailto:emexit@teknoware.com)

# ZONESPOT II HIGHBAY LED EMERGENCY LIGHT TWT8452WM



## Self-contained LED Emergency Light with 1 h Battery and Lumi Test Self-testing

Zonespot II Highbay TWT8452WM emergency light is recommended for installation heights of 10 to 16 m. The luminaire is easily surface mounted, thanks to a separate mounting base, into which the power supply is also connected.

Zonespot II Highbay takes advantage of the latest LED technology. Its optics are designed to illuminate open areas effectively, especially in high spaces. Thanks to the IP44 enclosure class, Zonespot II is also suitable for damp locations.

We reserve the rights to make modifications without notice.

Copyright © 2021 Teknoware. All rights reserved.

Date: February 18, 2021 | Source:

[www.teknoware.com/en/emergency-lighting/zonespot-ii-highbay-led-emergency-light-twt8452wm](http://www.teknoware.com/en/emergency-lighting/zonespot-ii-highbay-led-emergency-light-twt8452wm)

Teknoware Oy | P.O. Box 19, 15101 Lahti | Ilmarisentie 8, 15200 Lahti Finland  
Tel +358 3 883 020 | VAT-number FI01494751 | [teknoware.com](http://teknoware.com) | [emexit@teknoware.com](mailto:emexit@teknoware.com)

 **TEKNOWARE®**

Product Code	TWT8452WM
Feature	Lumi Test
Mounting (standard)	surface
Mounting (optional)	pendel
GTIN Code	6438045023816
ETIM Product Class	EC001957
Length	180 mm
Width	50 mm
Height	180 mm
Weight	0,7 kg
Backup	1 h
Max Input Power VA	3 VA
Nominal Supply Voltage	220-240 V, 50/60 Hz AC
Protection Class	II
IP Class	IP44
Temperature Range Min - Max	0...+35 °C
Glow Wire Test of Plastic Materials	850 °C
Light Source	LED
Body Material	plastic
Colour	RAL9003
Electrical Installation	2/3 x 2,5 mm <sup>2</sup>
Luminous Flux	220 lm

## Emergency lighting for open areas (ceiling mounting)

Table of 0,5 lux for open areas according to the norm EN 1838, 0,5 m edge district is considered in the table.

Level of measurement 0,02 m, measurement result with battery operation.

We reserve the rights to make modifications without notice.

Copyright © 2021 Teknoware. All rights reserved.

Date: February 18, 2021 | Source:

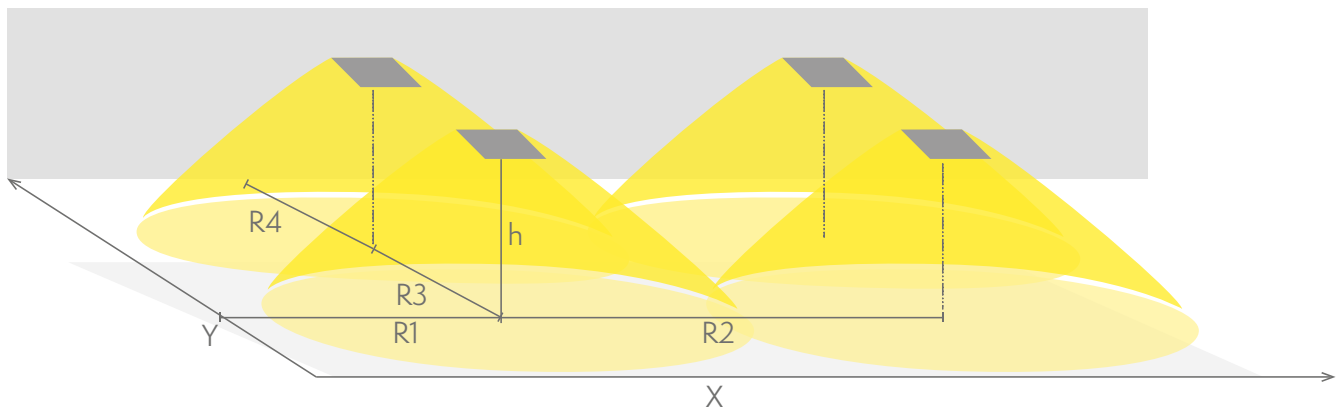
[www.teknoware.com/en/emergency-lighting/zonespot-ii-highbay-led-emergency-light-twt8452wm](http://www.teknoware.com/en/emergency-lighting/zonespot-ii-highbay-led-emergency-light-twt8452wm)



Teknoware Oy | P.O. Box 19, 15101 Lahti | Ilmarisentie 8, 15200 Lahti Finland

Tel +358 3 883 020 | VAT-number FI01494751 | [teknoware.com](http://teknoware.com) | [emexit@teknoware.com](mailto:emexit@teknoware.com)





- R1 distance from wall (X axis)
- R2 installation distance between lights (X axis)
- R3 installation distance between lights (Y axis)
- R4 distance from wall (Y axis)

## TWT8452WM

Mounting height (m)	Below the light lux	R1 (m)	R2 (m)	R3 (m)	R4 (m)
		0,5 lux	0,5 lux	0,5 lux	0,5 lux
4	27	3	7	7	3
6	12	3	7	7	3
8	7	3	7	7	3
10	4,5	3	7,5	7,5	3
12	3	3,5	8	8	3,5
14	2	3,5	8	8	3,5
16	1,5	3,5	8	8	3,5

## OPTIONAL ACCESSORIES:

### SHOCK PROTECTING COVERS FOR EMERGENCY LIGHTS



Product Code	Product Name	Compatible Product Groups
TW77507B	Shock protecting cover TW77507B	ESC 10 Emergency Exit Lights, ESC 80 Emergency Exit Lights

We reserve the rights to make modifications without notice.  
 Copyright © 2021 Teknoware. All rights reserved.  
 Date: February 18, 2021 | Source:  
[www.teknoware.com/en/emergency-lighting/zonespot-ii-highbay-led-emergency-light-twt8452wm](http://www.teknoware.com/en/emergency-lighting/zonespot-ii-highbay-led-emergency-light-twt8452wm)



# OPTIONAL MOUNTING ACCESSORIES FOR EMERGENCY LIGHTS

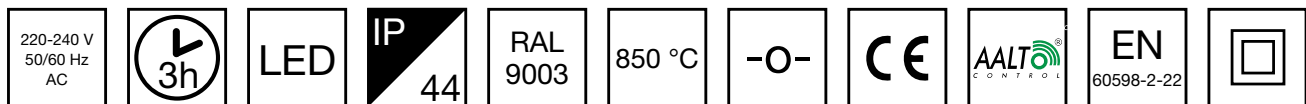
Product Code	Product Name	Compatible Product Groups
TW77504F	Suspension bracket TW77504F	Linespot II: Lowbay, Surface-Mounted Emergency Lights, Zonespot II: Lowbay, Surface-Mounted Emergency Lights, Zonespot II: Midbay, Surface-Mounted Emergency Lights, Linespot II: Midbay, Surface-Mounted Emergency Lights, Zonespot II: Highbay, Surface-Mounted Emergency Lights

We reserve the rights to make modifications without notice.  
Copyright © 2021 Teknoware. All rights reserved.  
Date: February 18, 2021 | Source:  
[www.teknoware.com/en/emergency-lighting/zonespot-ii-highbay-led-emergency-light-twt8452wm](http://www.teknoware.com/en/emergency-lighting/zonespot-ii-highbay-led-emergency-light-twt8452wm)

Teknoware Oy | P.O. Box 19, 15101 Lahti | Ilmarisentie 8, 15200 Lahti Finland  
Tel +358 3 883 020 | VAT-number FI01494751 | [teknoware.com](http://teknoware.com) | [emexit@teknoware.com](mailto:emexit@teknoware.com)



# ZONESPOT II HIGHBAY LED EMERGENCY LIGHT TWT8453WA



## Self-contained LED Emergency Light with 3 h Battery and Wireless Central Monitoring

Zonespot II Highbay TWT8453WA emergency light is recommended for installation heights of 10 to 16 m. The luminaire is easily surface mounted, thanks to a separate mounting base, into which the power supply is also connected.

Zonespot II Highbay takes advantage of the latest LED technology. Its optics are designed to illuminate open areas effectively, especially in high spaces. Thanks to the IP44 enclosure class, Zonespot II is also suitable for damp locations.

We reserve the rights to make modifications without notice.

Copyright © 2021 Teknoware. All rights reserved.

Date: February 18, 2021 | Source:

[www.teknoware.com/en/emergency-lighting/zonespot-ii-highbay-led-emergency-light-twt8453wa](http://www.teknoware.com/en/emergency-lighting/zonespot-ii-highbay-led-emergency-light-twt8453wa)



Product Code	TWT8453WA
Feature	Aalto Control
Mounting (standard)	surface
Mounting (optional)	pendel
GTIN Code	6438045023823
ETIM Product Class	EC001957
Length	180 mm
Width	50 mm
Height	180 mm
Weight	0,85 kg
Backup	3 h
Max Input Power VA	6 VA
Nominal Supply Voltage	220-240 V, 50/60 Hz AC
Protection Class	II
IP Class	IP44
Temperature Range Min - Max	0...+35 °C
Glow Wire Test of Plastic Materials	850 °C
Light Source	LED
Body Material	plastic
Colour	RAL9003
Electrical Installation	2/3 x 2,5 mm <sup>2</sup>
Luminous Flux	220 lm

## Emergency lighting for open areas (ceiling mounting)

Table of 0,5 lux for open areas according to the norm EN 1838, 0,5 m edge district is considered in the table.

Level of measurement 0,02 m, measurement result with battery operation.

We reserve the rights to make modifications without notice.

Copyright © 2021 Teknoware. All rights reserved.

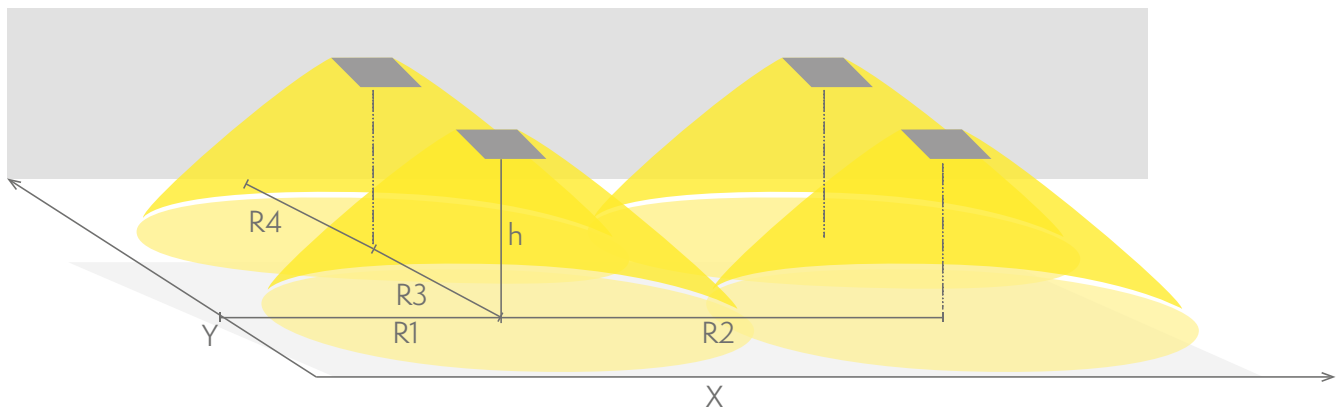
Date: February 18, 2021 | Source:

[www.teknoware.com/en/emergency-lighting/zonespot-ii-highbay-led-emergency-light-twt8453wa](http://www.teknoware.com/en/emergency-lighting/zonespot-ii-highbay-led-emergency-light-twt8453wa)



Teknoware Oy | P.O. Box 19, 15101 Lahti | Ilmarisentie 8, 15200 Lahti Finland

Tel +358 3 883 020 | VAT-number FI01494751 | [teknoware.com](http://teknoware.com) | [emexit@teknoware.com](mailto:emexit@teknoware.com)



- R1 distance from wall (X axis)
- R2 installation distance between lights (X axis)
- R3 installation distance between lights (Y axis)
- R4 distance from wall (Y axis)

## TWT8453WA

Mounting height (m)	Below the light lux	R1 (m)	R2 (m)	R3 (m)	R4 (m)
		0,5 lux	0,5 lux	0,5 lux	0,5 lux
4	27	3	7	7	3
6	12	3	7	7	3
8	7	3	7	7	3
10	4,5	3	7,5	7,5	3
12	3	3,5	8	8	3,5
14	2	3,5	8	8	3,5
16	1,5	3,5	8	8	3,5

## OPTIONAL ACCESSORIES:

### SHOCK PROTECTING COVERS FOR EMERGENCY LIGHTS



Product Code	Product Name	Compatible Product Groups
TW77507B	Shock protecting cover TW77507B	ESC 10 Emergency Exit Lights, ESC 80 Emergency Exit Lights

We reserve the rights to make modifications without notice.  
 Copyright © 2021 Teknoware. All rights reserved.  
 Date: February 18, 2021 | Source:  
[www.teknoware.com/en/emergency-lighting/zonespot-ii-highbay-led-emergency-light-twt8453wa](http://www.teknoware.com/en/emergency-lighting/zonespot-ii-highbay-led-emergency-light-twt8453wa)



# OPTIONAL MOUNTING ACCESSORIES FOR EMERGENCY LIGHTS

Product Code	Product Name	Compatible Product Groups
TW77504F	Suspension bracket TW77504F	Linespot II: Lowbay, Surface-Mounted Emergency Lights, Zonespot II: Lowbay, Surface-Mounted Emergency Lights, Zonespot II: Midbay, Surface-Mounted Emergency Lights, Linespot II: Midbay, Surface-Mounted Emergency Lights, Zonespot II: Highbay, Surface-Mounted Emergency Lights

We reserve the rights to make modifications without notice.

Copyright © 2021 Teknoware. All rights reserved.

Date: February 18, 2021 | Source:

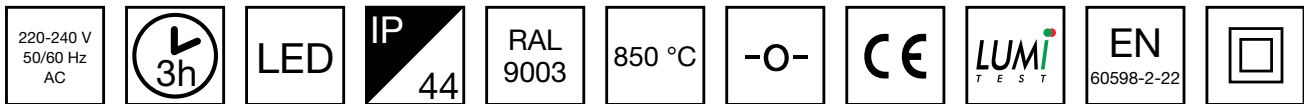
[www.teknoware.com/en/emergency-lighting/zonespot-ii-highbay-led-emergency-light-twt8453wa](http://www.teknoware.com/en/emergency-lighting/zonespot-ii-highbay-led-emergency-light-twt8453wa)



Teknoware Oy | P.O. Box 19, 15101 Lahti | Ilmarisentie 8, 15200 Lahti Finland

Tel +358 3 883 020 | VAT-number FI01494751 | [teknoware.com](http://teknoware.com) | [emexit@teknoware.com](mailto:emexit@teknoware.com)

# ZONESPOT II HIGHBAY LED EMERGENCY LIGHT TWT8453WM



## Self-contained LED Emergency Light with 3 h Battery and Lumi Test Self-testing

Zonespot II Highbay TWT8453WM emergency light is recommended for installation heights of 10 to 16 m. The luminaire is easily surface mounted, thanks to a separate mounting base, into which the power supply is also connected.

Zonespot II Highbay takes advantage of the latest LED technology. Its optics are designed to illuminate open areas effectively, especially in high spaces. Thanks to the IP44 enclosure class, Zonespot II is also suitable for damp locations.

We reserve the rights to make modifications without notice.

Copyright © 2021 Teknoware. All rights reserved.

Date: February 18, 2021 | Source:

[www.teknoware.com/en/emergency-lighting/zonespot-ii-highbay-led-emergency-light-twt8453wm](http://www.teknoware.com/en/emergency-lighting/zonespot-ii-highbay-led-emergency-light-twt8453wm)



Product Code	TWT8453WM
Feature	Lumi Test
Mounting (standard)	surface
Mounting (optional)	pendel
GTIN Code	6438045023830
ETIM Product Class	EC001957
Length	180 mm
Width	50 mm
Height	180 mm
Weight	0,85 kg
Backup	3 h
Max Input Power VA	6 VA
Nominal Supply Voltage	220-240 V, 50/60 Hz AC
Protection Class	II
IP Class	IP44
Temperature Range Min - Max	0...+35 °C
Glow Wire Test of Plastic Materials	850 °C
Light Source	LED
Body Material	plastic
Colour	RAL9003
Electrical Installation	2/3 x 2,5 mm <sup>2</sup>
Luminous Flux	220 lm

## Emergency lighting for open areas (ceiling mounting)

Table of 0,5 lux for open areas according to the norm EN 1838, 0,5 m edge district is considered in the table.

Level of measurement 0,02 m, measurement result with battery operation.

We reserve the rights to make modifications without notice.

Copyright © 2021 Teknoware. All rights reserved.

Date: February 18, 2021 | Source:

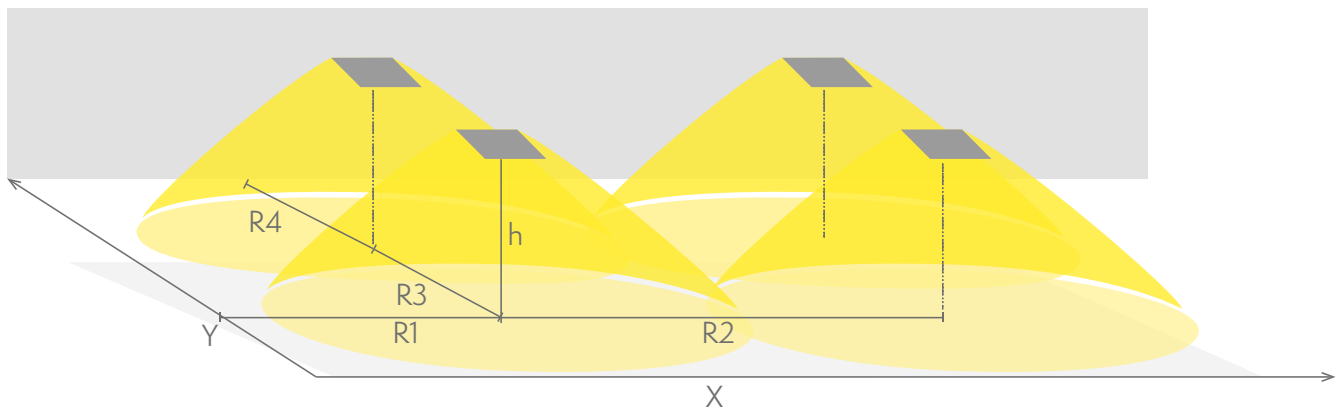
[www.teknoware.com/en/emergency-lighting/zonespot-ii-highbay-led-emergency-light-twt8453wm](http://www.teknoware.com/en/emergency-lighting/zonespot-ii-highbay-led-emergency-light-twt8453wm)



Teknoware Oy | P.O. Box 19, 15101 Lahti | Ilmarisentie 8, 15200 Lahti Finland

Tel +358 3 883 020 | VAT-number FI01494751 | [teknoware.com](http://teknoware.com) | [emexit@teknoware.com](mailto:emexit@teknoware.com)





- R1 distance from wall (X axis)
- R2 installation distance between lights (X axis)
- R3 installation distance between lights (Y axis)
- R4 distance from wall (Y axis)

## TWT8453WM

Mounting height (m)	Below the light lux	R1 (m)	R2 (m)	R3 (m)	R4 (m)
		0,5 lux	0,5 lux	0,5 lux	0,5 lux
4	27	3	7	7	3
6	12	3	7	7	3
8	7	3	7	7	3
10	4,5	3	7,5	7,5	3
12	3	3,5	8	8	3,5
14	2	3,5	8	8	3,5
16	1,5	3,5	8	8	3,5

## OPTIONAL ACCESSORIES:

### SHOCK PROTECTING COVERS FOR EMERGENCY LIGHTS



Product Code	Product Name	Compatible Product Groups
TW77507B	Shock protecting cover TW77507B	ESC 10 Emergency Exit Lights, ESC 80 Emergency Exit Lights

We reserve the rights to make modifications without notice.  
 Copyright © 2021 Teknoware. All rights reserved.  
 Date: February 18, 2021 | Source:  
[www.teknoware.com/en/emergency-lighting/zonespot-ii-highbay-led-emergency-light-twt8453wm](http://www.teknoware.com/en/emergency-lighting/zonespot-ii-highbay-led-emergency-light-twt8453wm)



# OPTIONAL MOUNTING ACCESSORIES FOR EMERGENCY LIGHTS

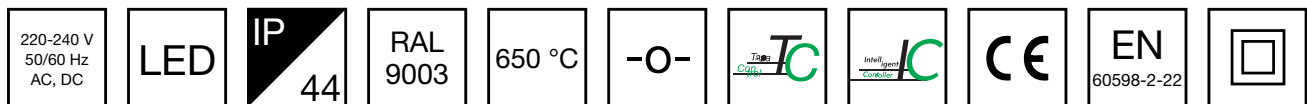
Product Code	Product Name	Compatible Product Groups
TW77504F	Suspension bracket TW77504F	Linespot II: Lowbay, Surface-Mounted Emergency Lights, Zonespot II: Lowbay, Surface-Mounted Emergency Lights, Zonespot II: Midbay, Surface-Mounted Emergency Lights, Linespot II: Midbay, Surface-Mounted Emergency Lights, Zonespot II: Highbay, Surface-Mounted Emergency Lights

We reserve the rights to make modifications without notice.  
Copyright © 2021 Teknoware. All rights reserved.  
Date: February 18, 2021 | Source:  
[www.teknoware.com/en/emergency-lighting/zonespot-ii-highbay-led-emergency-light-twt8453wm](http://www.teknoware.com/en/emergency-lighting/zonespot-ii-highbay-led-emergency-light-twt8453wm)

Teknoware Oy | P.O. Box 19, 15101 Lahti | Ilmarisentie 8, 15200 Lahti Finland  
Tel +358 3 883 020 | VAT-number FI01494751 | [teknoware.com](http://teknoware.com) | [emexit@teknoware.com](mailto:emexit@teknoware.com)



# ZONESPOT II HIGHBAY LED EMERGENCY LIGHT TWT8456WK



Addressable 230 V centrally supplied LED emergency light for installation heights of 6 to 30 m

Zonespot II Highbay, TWT8456WK, is a High Output emergency light, designed for illuminating 6-30 meter high open spaces. The luminaire is easily surface mounted, thanks to a separate mounting base, into which the power supply is also connected.

Zonespot II Highbay takes advantage of the latest LED technology. Its optics are designed to illuminate open areas effectively, especially in high spaces. Thanks to the IP44 enclosure class, Zonespot II is also suitable for damp locations.

# INDIVIDUALLY PACKED LIGHTS

The product codes starting with letter Y include an individually packed luminaire. The product codes starting with TW include the luminaire only.

Product Code	IP Class	Luminous Flux (lm)
Y8456WK	IP44	505

Product Code	TWT8456WK
Feature	Intelligent Controller, Tapsa Control
Mounting (standard)	surface
Mounting (optional)	pendel
Customs Code	94056080
GTIN Code	6438045019208
ETIM Product Class	EC001957
Length	180 mm
Width	50 mm
Height	180 mm
Weight	0,5 kg
Max Input Power VA	16 VA
Max Input Power W	9,5 W
Nominal Supply Voltage	220-240 V, 50/60 Hz AC, DC
Protection Class	II
IP Class	IP44
Temperature Range Min - Max	-30...+50 °C
Glow Wire Test of Plastic Materials	650 °C
Light Source	LED
Body Material	plastic

We reserve the rights to make modifications without notice.

Copyright © 2021 Teknoware. All rights reserved.

Date: February 18, 2021 | Source:

[www.teknoware.com/en/emergency-lighting/zonespot-ii-highbay-led-emergency-light-twt8456wk](http://www.teknoware.com/en/emergency-lighting/zonespot-ii-highbay-led-emergency-light-twt8456wk)

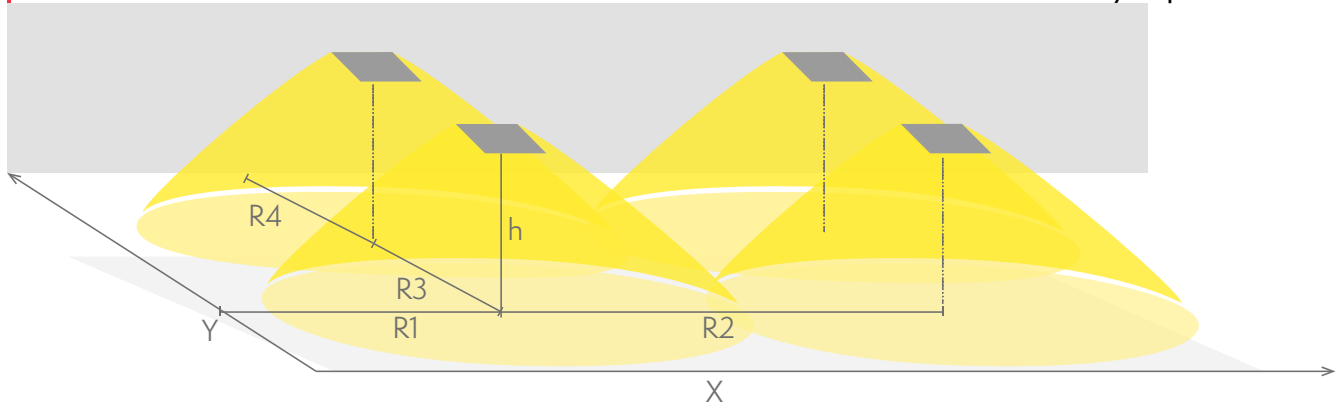


Colour	RAL9003
Electrical Installation	2/3 x 2,5 mm <sup>2</sup>
Luminous Flux	505 lm

## Emergency lighting for open areas (ceiling mounting)

Table of 0,5 lux for open areas according to the norm EN 1838, 0,5 m edge district is considered in the table.

Level of measurement 0,02 m, measurement result with battery operation.



R1 distance from wall (X axis)

R2 installation distance between lights (X axis)

R3 installation distance between lights (Y axis)

R4 distance from wall (Y axis)

### TWT8456WK

Mounting height (m)	Below the light lux	R1 (m)	R2 (m)	R3 (m)	R4 (m)
		0,5 lux	0,5 lux	0,5 lux	0,5 lux
6	24	5	10	10	5
8	13	5.5	11	11	5.5
10	8	5.5	11.5	11.5	5.5
12	6	6	12	12	6
14	4	6.5	13	13	6.5
16	3	7	14	14	7
18	2,5	5.5	16	16	5.5
20	2	5.5	17	17	5.5
26	1,4	6	18	18	6
30	1	6	18	18	6

We reserve the rights to make modifications without notice.

Copyright © 2021 Teknoware. All rights reserved.

Date: February 18, 2021 | Source:

[www.teknoware.com/en/emergency-lighting/zonespot-ii-highbay-led-emergency-light-twt8456wk](http://www.teknoware.com/en/emergency-lighting/zonespot-ii-highbay-led-emergency-light-twt8456wk)

56wk



Teknoware Oy | P.O. Box 19, 15101 Lahti | Ilmarisentie 8, 15200 Lahti Finland

Tel +358 3 883 020 | VAT-number FI01494751 | [teknoware.com](http://teknoware.com) | [emexit@teknoware.com](mailto:emexit@teknoware.com)

## OPTIONAL ACCESSORIES:

### SHOCK PROTECTING COVERS FOR EMERGENCY LIGHTS



Product Code	Product Name	Compatible Product Groups
TW77507B	Shock protecting cover TW77507B	ESC 10 Emergency Exit Lights, ESC 80 Emergency Exit Lights

### OPTIONAL MOUNTING ACCESSORIES FOR EMERGENCY LIGHTS

Product Code	Product Name	Compatible Product Groups
TW77504F	Suspension bracket TW77504F	Linespot II: Lowbay, Surface-Mounted Emergency Lights, Zonespot II: Lowbay, Surface-Mounted Emergency Lights, Zonespot II: Midbay, Surface-Mounted Emergency Lights, Linespot II: Midbay, Surface-Mounted Emergency Lights, Zonespot II: Highbay, Surface-Mounted Emergency Lights

We reserve the rights to make modifications without notice.

Copyright © 2021 Teknoware. All rights reserved.

Date: February 18, 2021 | Source:

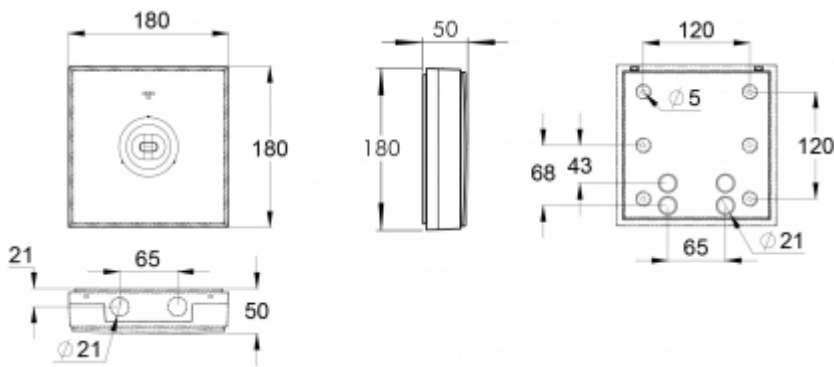
[www.teknoware.com/en/emergency-lighting/zonespot-ii-highbay-led-emergency-light-tw784](http://www.teknoware.com/en/emergency-lighting/zonespot-ii-highbay-led-emergency-light-tw784)

56wk



Teknoware Oy | P.O. Box 19, 15101 Lahti | Ilmarisentie 8, 15200 Lahti Finland

Tel +358 3 883 020 | VAT-number FI01494751 | [teknoware.com](http://teknoware.com) | [emexit@teknoware.com](mailto:emexit@teknoware.com)



We reserve the rights to make modifications without notice.

Copyright © 2021 Teknoware. All rights reserved.

Date: February 18, 2021 | Source:

[www.teknoware.com/en/emergency-lighting/zonespot-ii-highbay-led-emergency-light-twt84-56wk](http://www.teknoware.com/en/emergency-lighting/zonespot-ii-highbay-led-emergency-light-twt84-56wk)



Teknoware Oy | P.O. Box 19, 15101 Lahti | Ilmarisentie 8, 15200 Lahti Finland

Tel +358 3 883 020 | VAT-number FI01494751 | [teknoware.com](http://teknoware.com) | [emexit@teknoware.com](mailto:emexit@teknoware.com)