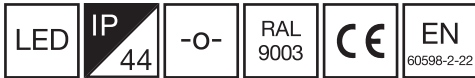
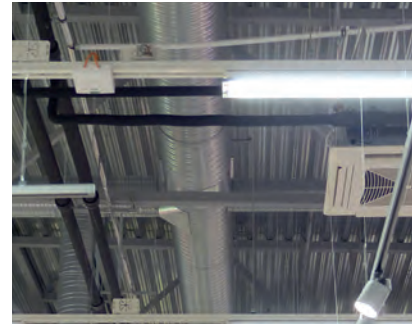


# ZONESPOT II HIGHBAY

HIGH OUTPUT LED EMERGENCY LIGHT FOR SURFACE MOUNTING  
IN 6-30 M HIGH OPEN AREAS



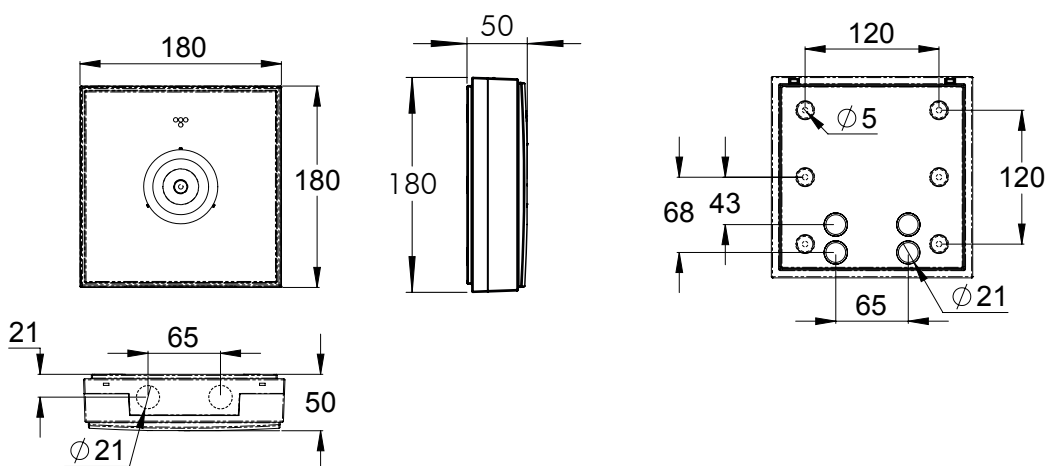
Installation video



Zonespot II Highbay, TWT8456WK, is a High Output emergency light, designed for illuminating 6-30 meter high open spaces. The luminaire is easily surface mounted, thanks to a separate mounting base, into which the power supply is also connected.

Zonespot II Highbay takes advantage of the latest LED technology. Its optics are designed to illuminate open areas effectively, especially in high spaces. Thanks to the IP44 enclosure class, Zonespot II is also suitable for damp locations.

## DIMENSIONS



- ⊕ = Protection class of luminaire is 1
- ⊕ = Protection class of luminaire is 2
- ⊕ = Protection class of luminaire is 3
- ⊕ = Luminaire is suitable for through-wiring
- IP20 = Protection rating
- RAL = Colour of the body
- 3000 = Viewing distance
- LED = LED as a light source
- Aalto = Aalto Control compatible (incl. Lumi Test)
- M = Self-contained luminaire with Lumi test self-testing
- Escap = Self-contained luminaire with 1 h super capacitor backup
- C = Compatible with Tapsa Control Central Battery Unit and Local Controller
- 850 = compliant with the 850 glow wire test
- IC = Compatible with Intelligent Controller
- CBS = Centrally supplied

## CENTRALLY SUPPLIED LUMINAIRES

### ADDRESSABLE 230 V CENTRALLY SUPPLIED EMERGENCY LIGHTS

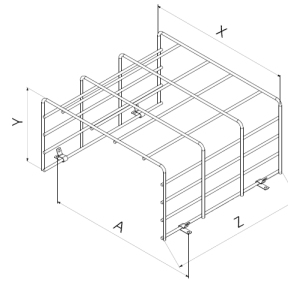


Product code	Nominal supply voltage	Max input power	Luminous flux (lm)	Operation mode	Temperature range	Electrical installation	Weight (kg)
TWT8456WK	220-240 V, 50/60 Hz AC,DC	22 VA / 12 W	535 HIGH OUTPUT	CBS / C+ IC	-30... +50°C	2/3 x 2,5 mm <sup>2</sup> -0-	0,5
Y8456WK	(individually packed incl. TWT8456WK)						0,6

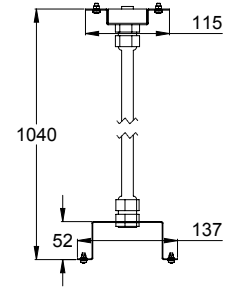
### ACCESSORIES

Product code	Product description
TW77504F	Suspension bracket
TW77507B	Shock protecting cover (dimensions: X=320, Y=165, Z=305, A=340)

SHOCK PROTECTING COVER  
TW77507B



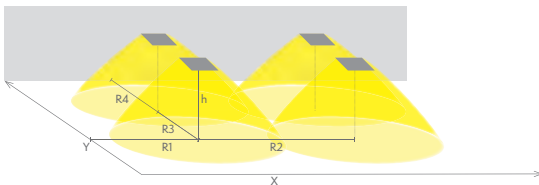
SUSPENSION BRACKET  
TW77504F



### LIGHT DISTRIBUTION TABLES

#### Emergency lighting for open areas (ceiling mounting)

Table of 0,5 lux for open areas according to the norm EN 1838, 0,5 m edge district is considered in the table.  
Level of measurement 0,02 m, measurement result with battery operation.



R1 distance from wall (X axis) | R2 installation distance between lights (X axis) | R3 installation distance between lights (Y axis) | R4 distance from wall (Y axis)

#### TWT8456WK

Mounting height (m)	Below the light (lux)	R1 (m)	R2 (m)	R3 (m)	R4 (m)
		0,5 lux	0,5 lux	0,5 lux	0,5 lux
6	24	6,5	12	12	6,5
8	13	7,5	14	14	7,5
10	8	8,5	16	16	8,5
12	6	9,5	18	18	9,5
14	4	10,5	20	20	10,5
16	3	11,5	22	22	11,5
18	2,5	11,5	22	22	11,5
20	2	10,5	21	21	10,5
25	1,4	9,5	18	18	9,5
30	1	9,5	18	18	9,5