

ART. 949

SET POINT REGULATING UNIT

CAUTION:

When installed in the metal box **Art. 498**, the regulating unit must be installed only with the brackets **Art. 498STK** with a centre distance of 200mm and offset of 13mm.

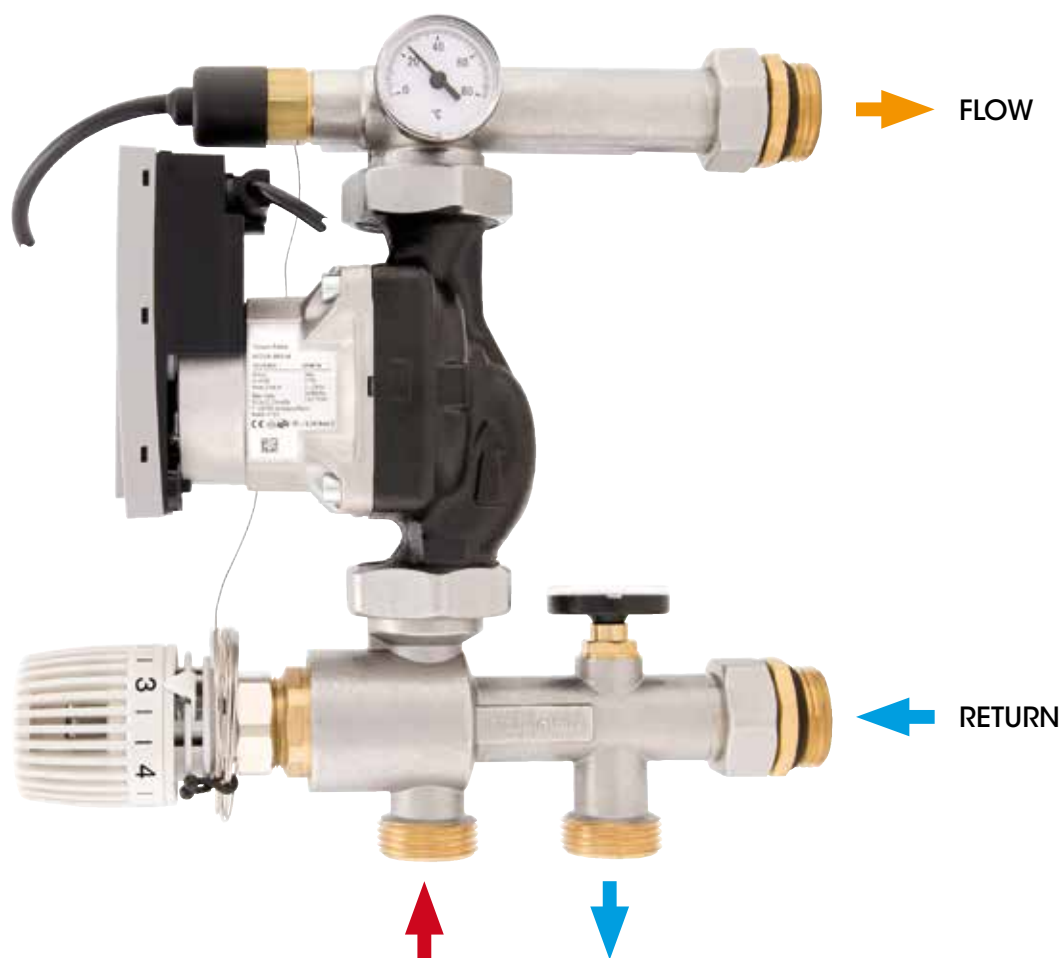
TECHNICAL SPECIFICATIONS

- Medium: water, glycol solution (up to 30%)
- Control temperature range: 20°C to 55°C
- Maximum operating pressure: 6 bar
- Regulating unit materials:
Nickel-plated brass CW617N
- Available sizes: 1"
- Threaded connections:
ISO 228 (equivalent to DIN EN ISO 228 and BS EN ISO 228)
- Kv (mixing valve only): 7,50 m³/h
- Centre distance (pump): 130mm.
- Threaded connections (pump): 1" 1/2

COMPONENTS

- 3-way mixing valve
- Thermostatic head with built-in sensor
- Low consumption pump (optional)
- Safety thermostat (factory set at 55°C)
- Flow thermometer (0°C through 80°C)
- Return thermometer (0°C through 80°C)

CERTIFICATIONS:



The regulating unit is used for underfloor heating systems, and its compact size (less than 90 mm deep) allows it to be installed directly in the distribution manifold box. It lowers and maintains the fluid temperature with a 3-way mixing valve and adjustable thermostatic head with built-in sensor. The circulation pump drives the fluid through the pipes with a safety thermostat to limit the temperature to no more than 55° (compliant with UNI EN 1264); when the temperature exceeds this value, the pump stops running to allow the fluid temperature to fall below it. The regulating unit assembles the manifold with union connections which enable quick removal for maintenance and other requirements. The electrical wiring case has all the contacts required for the unit to operate, such as the boiler enable signal and connection to one or more ON-OFF room thermostats.



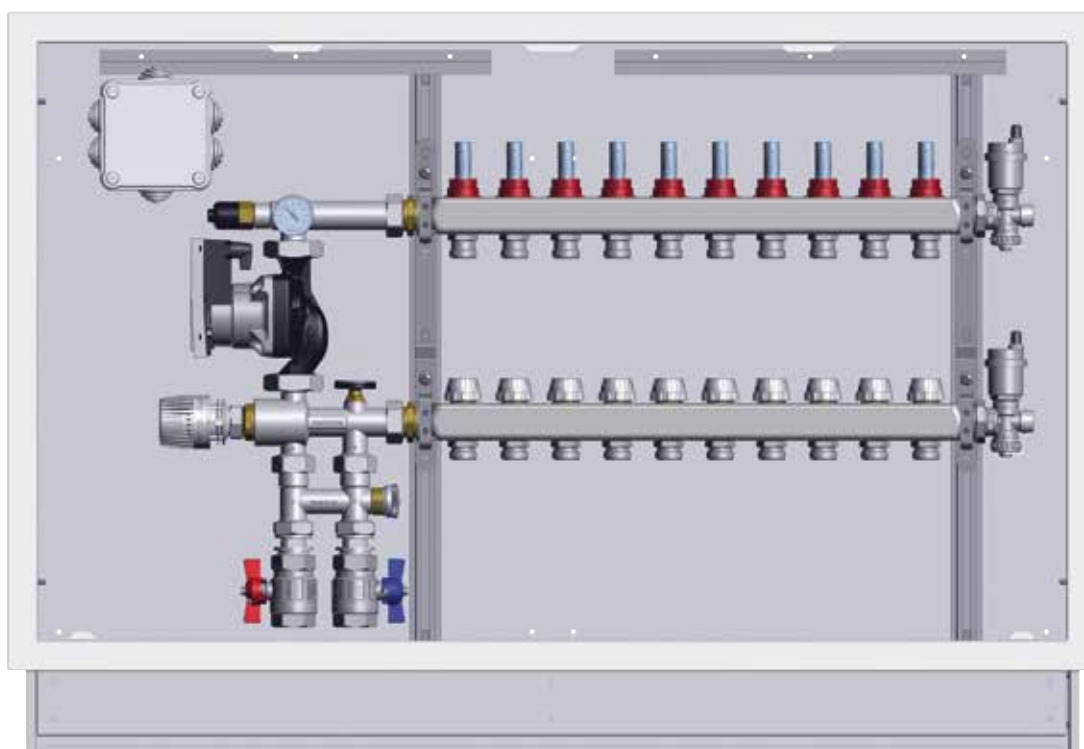


The wiring case has all the connections required for the regulation unit: boiler enable signal (NO), room thermostat (TA), safety thermostat (TS) and pump power (POMPA). It has to be powered at 230V.



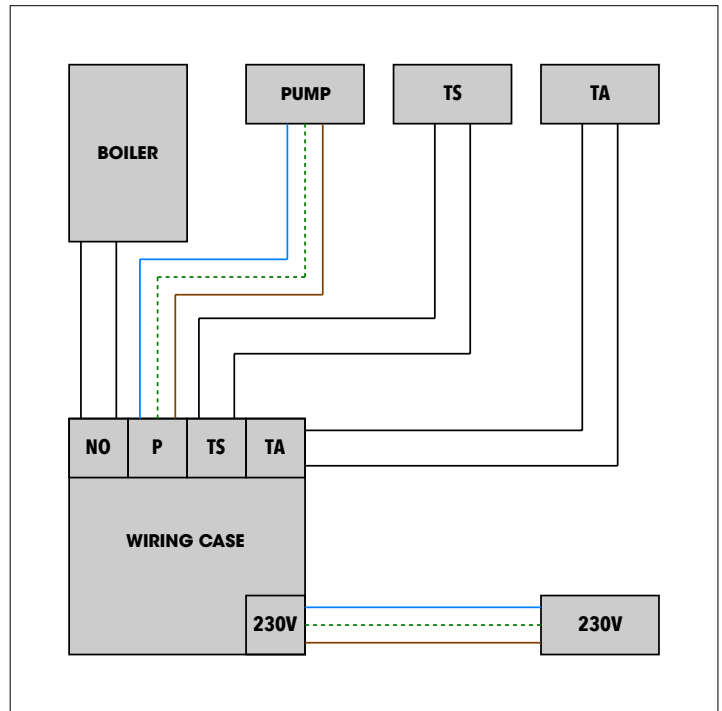
The thermostatic head adjusts the temperature of water through the flow manifolds. The temperature can be set by turning the head to the desired figure.

1	2	3	4	5	6
20°	30°	40°	50°	60°	70°



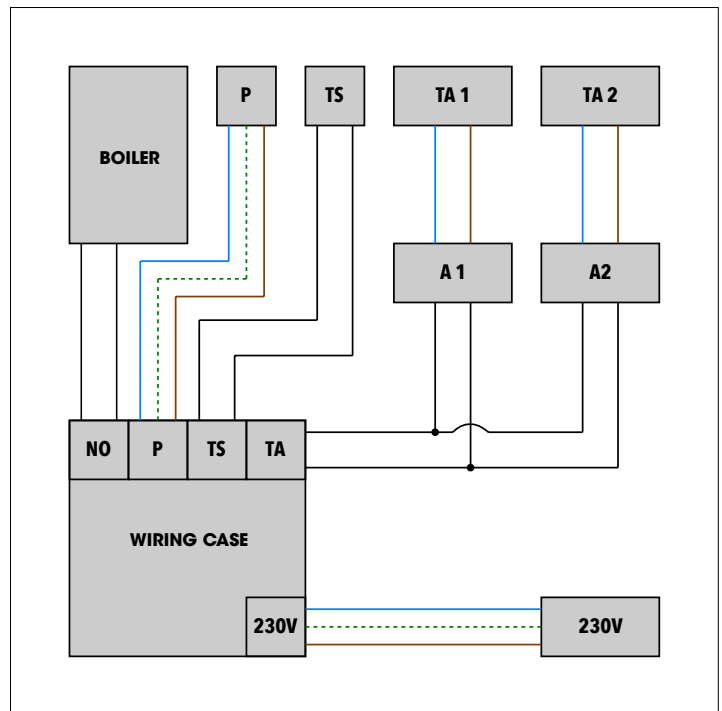
EXAMPLE OF SINGLE-ZONE INSTALLATION

For single-zone systems, simply wire the components to the wiring case - no other cabling is required. When the room thermostat's ON-OFF contact closes (i.e. the room temperature is below the setpoint) it sends the enable signal to the boiler (NO contact) thus turning on the mixing unit circulation pump.

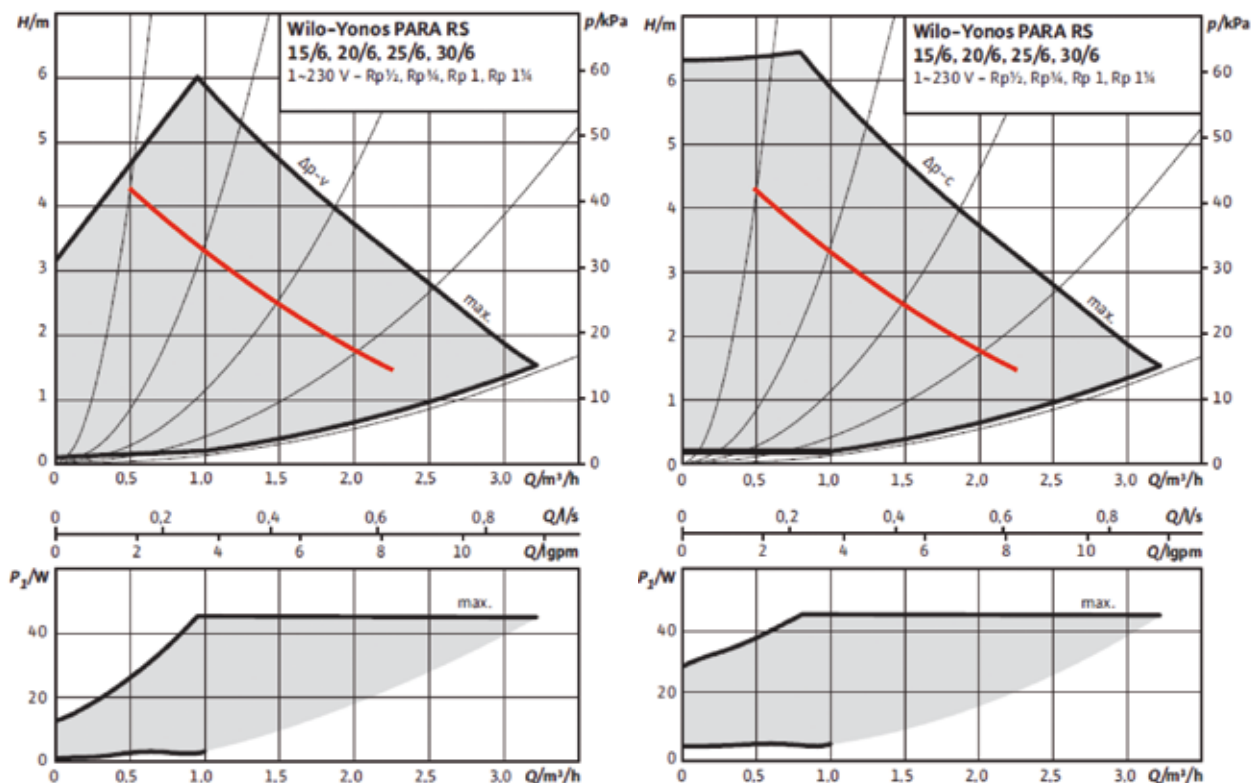


EXAMPLE OF MULTI-ZONE INSTALLATION

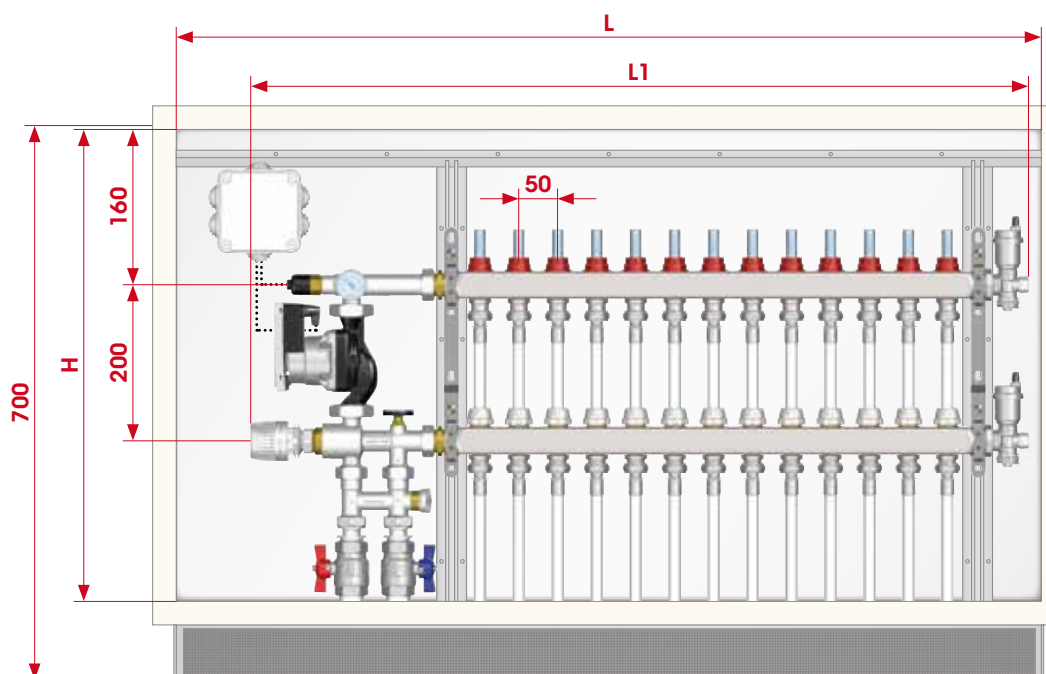
Multi-zone systems require the use of thermo-electric actuators with auxiliary micro-switch (not included) and a room thermostat for each zone. The room thermostat's ON-OFF contact must be connected to the power cable wires (blue and brown) of each thermo-electric actuator, while the auxiliary micro-switch wires of all actuators in all zones must be connected to the TA contact. This means that the room thermostat contact will open the actuators connected to it which, once they are completely open, send the enable signal to the boiler and to the mixing unit's circulation pump.



AVAILABLE HEAD OF PRESSURE AT MIXING UNIT CONNECTIONS



POSITIONING THE REGULATING UNIT INTO THE METAL BOX



CODE	498.600.600	498.700.600	498.800.600	498.1000.600	498.1100.600
LxH (mm)	600x600	700x600	800x600	1000x600	1100x600
N. ways	2-3	4-5	6-7	8-9-10	11-12-13
MANIFOLD	1"				
L1	498	598	698	848	998