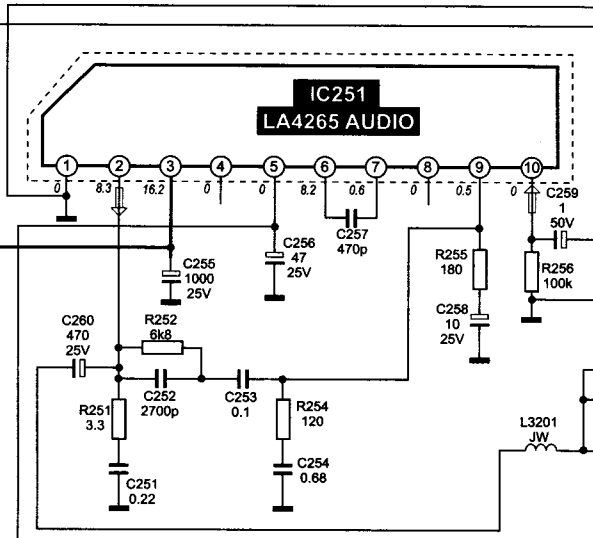


TV VIDEO IN

E4



E6 Q6

1 AUDIO OUT
2 VIDEO/Y OUT
3 GND
4 S-CHROMA

E10 SPEAKER

JK3201
TJB16663

JK3202
TJB8E022

E5 Q5

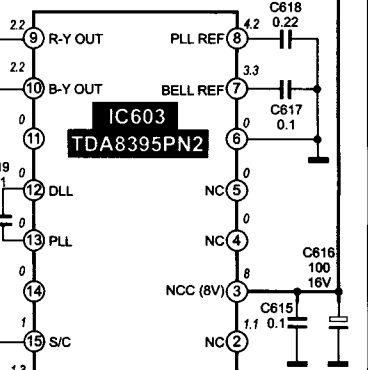
1 EXT R
2 EXT G
3 EXT B
4 FAST SW
5 VIDEO OUT SCART
6 GND
7 AUDIO OUT SCART
8 AUDIO IN SCART

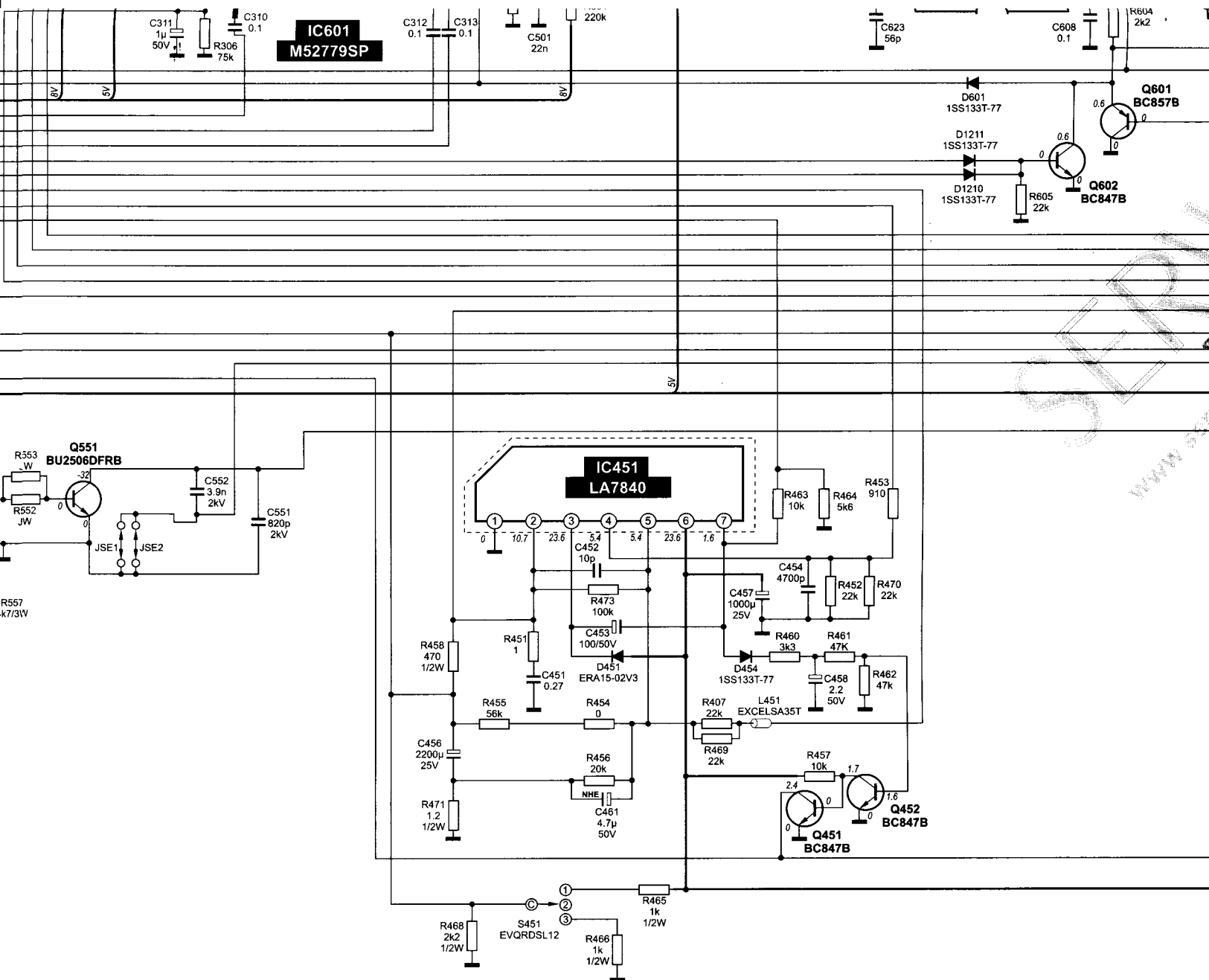
JK3101
TJB8E011

1 GND
2 VIN
3 VOUT
4 GND
5 GND
6 FAST SW
7 RED
8 GND
9 GND
10 NC
11 GREEN
12 NC
13 GND
14 BLUE
15 A IN L
16 GND
17 A OUT L
18 A IN R
19 A OUT R

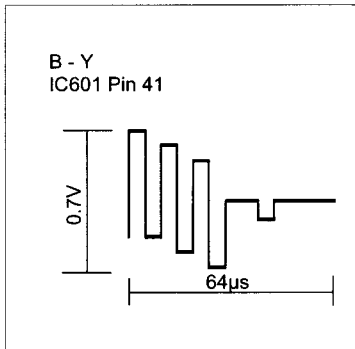
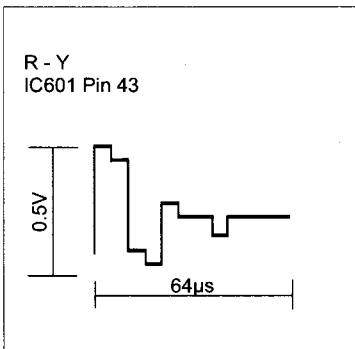
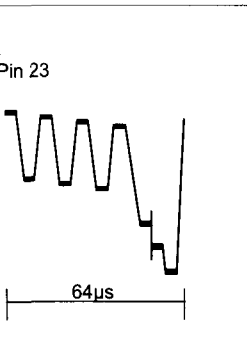
E14 Y2

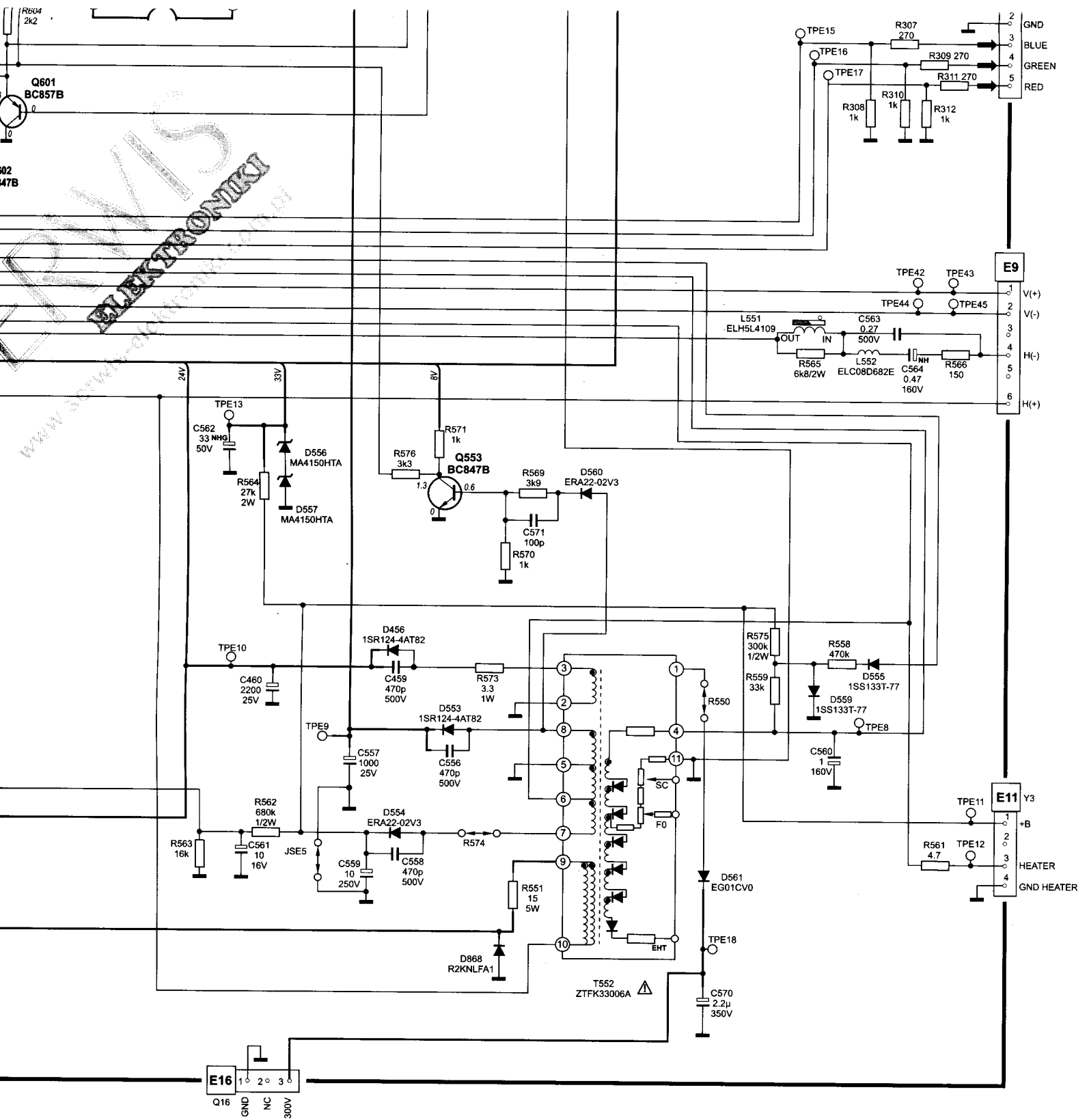
SRWIS
ELEKTRONIKI
www.servis-elektroniki.com.pl



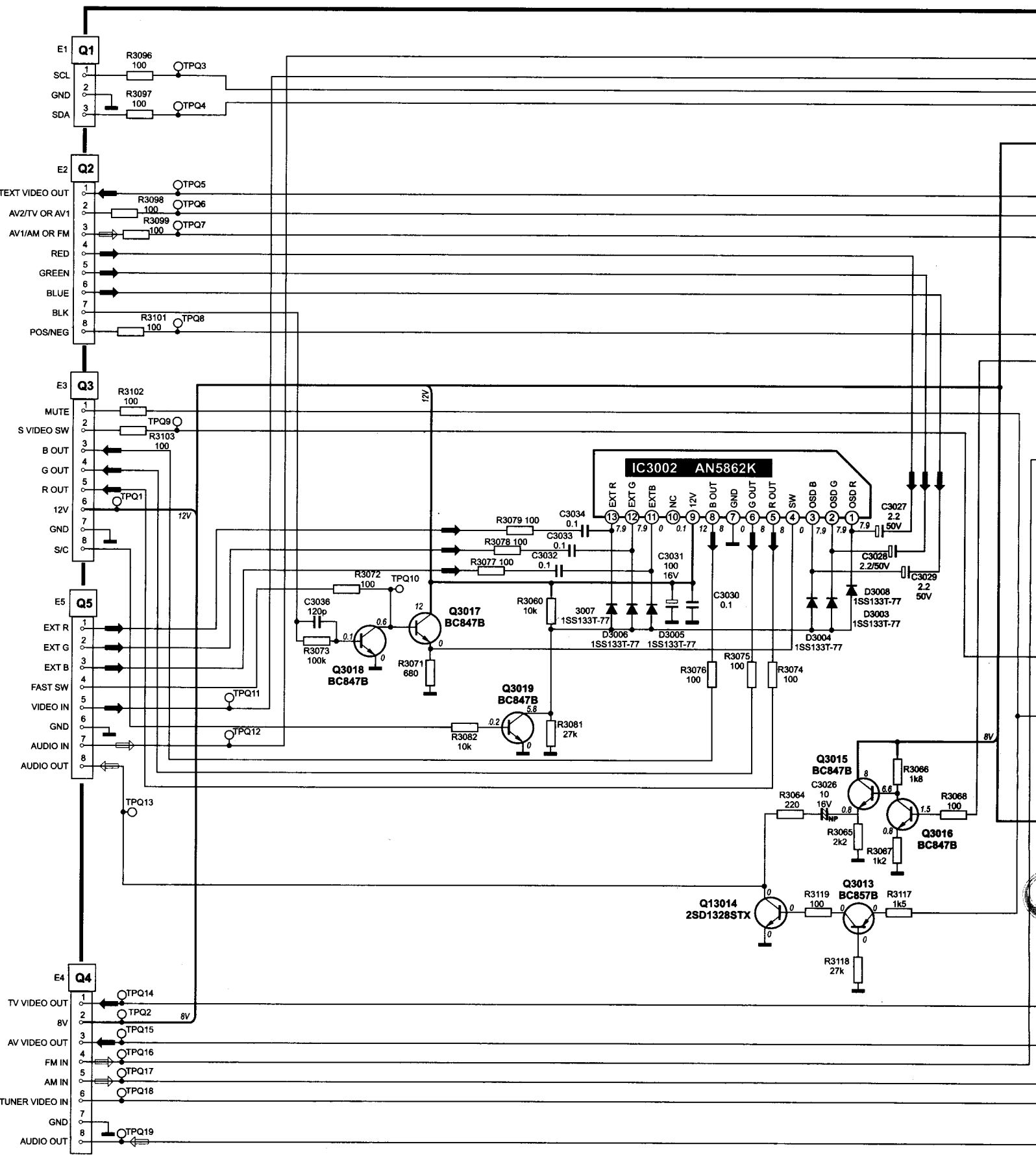


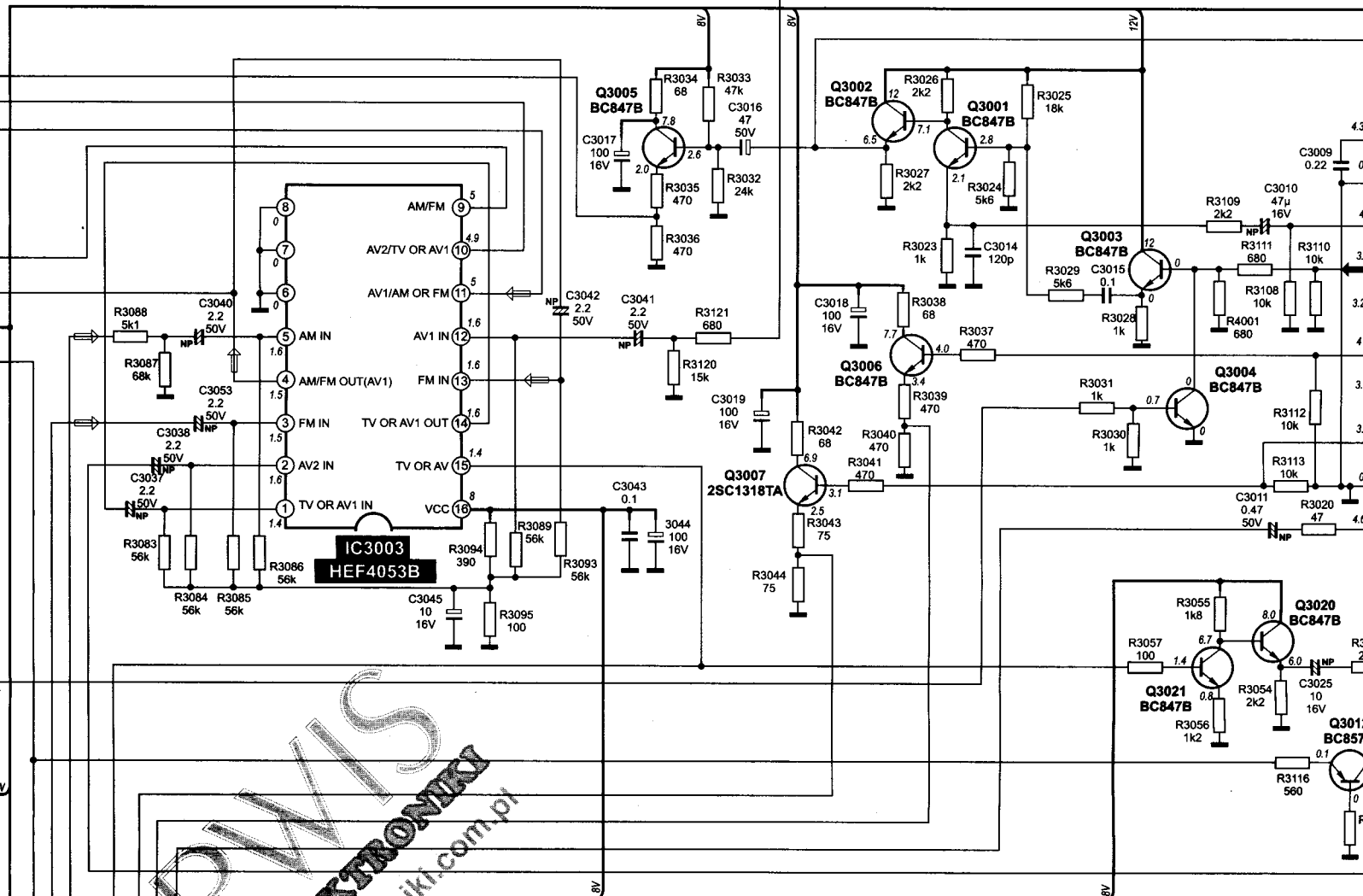
**E BOARD
TNP8EE010**



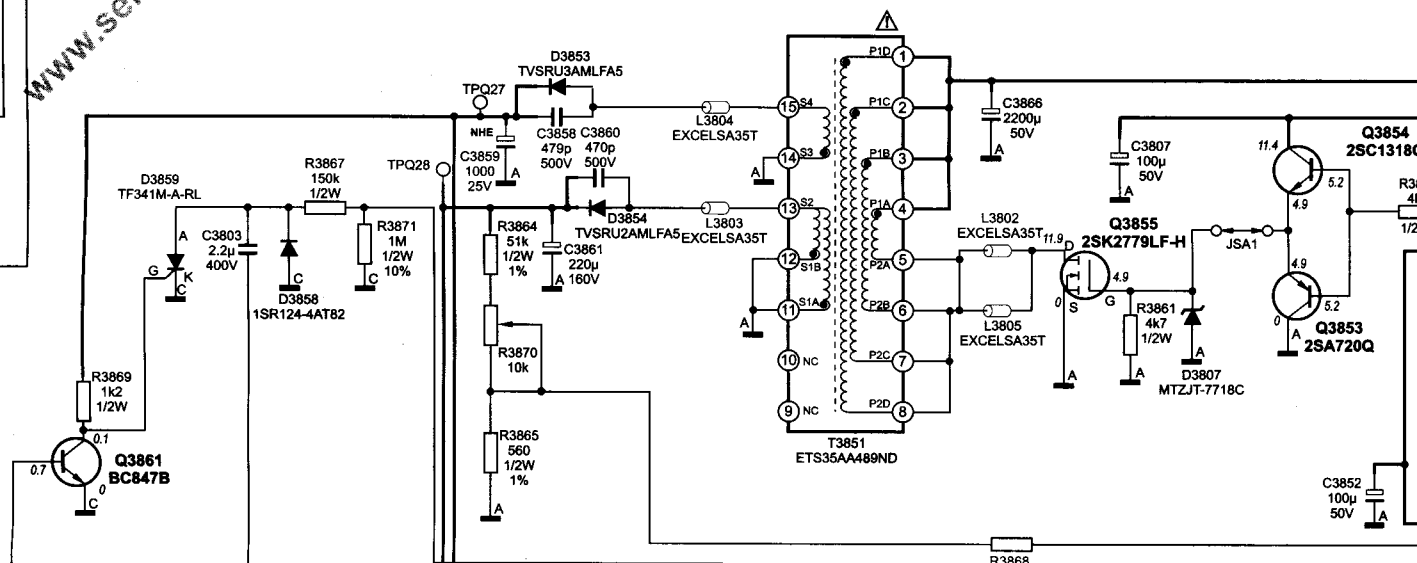


W_SE9/2006

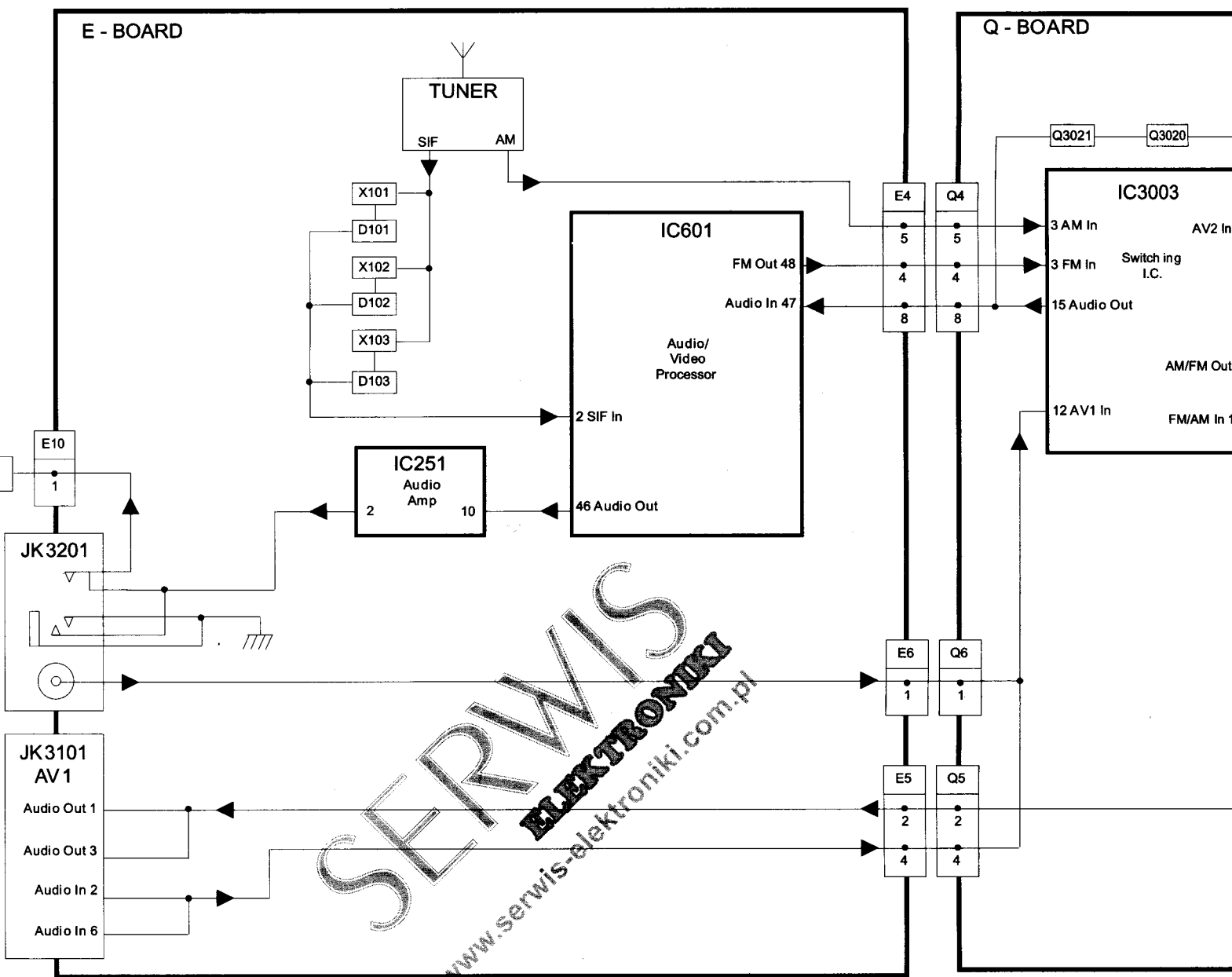


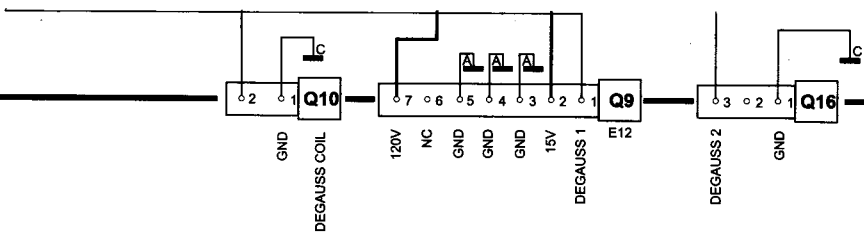


SERWIS
ELEKTRONIKI
www.serwis-elektroniki.com.pl

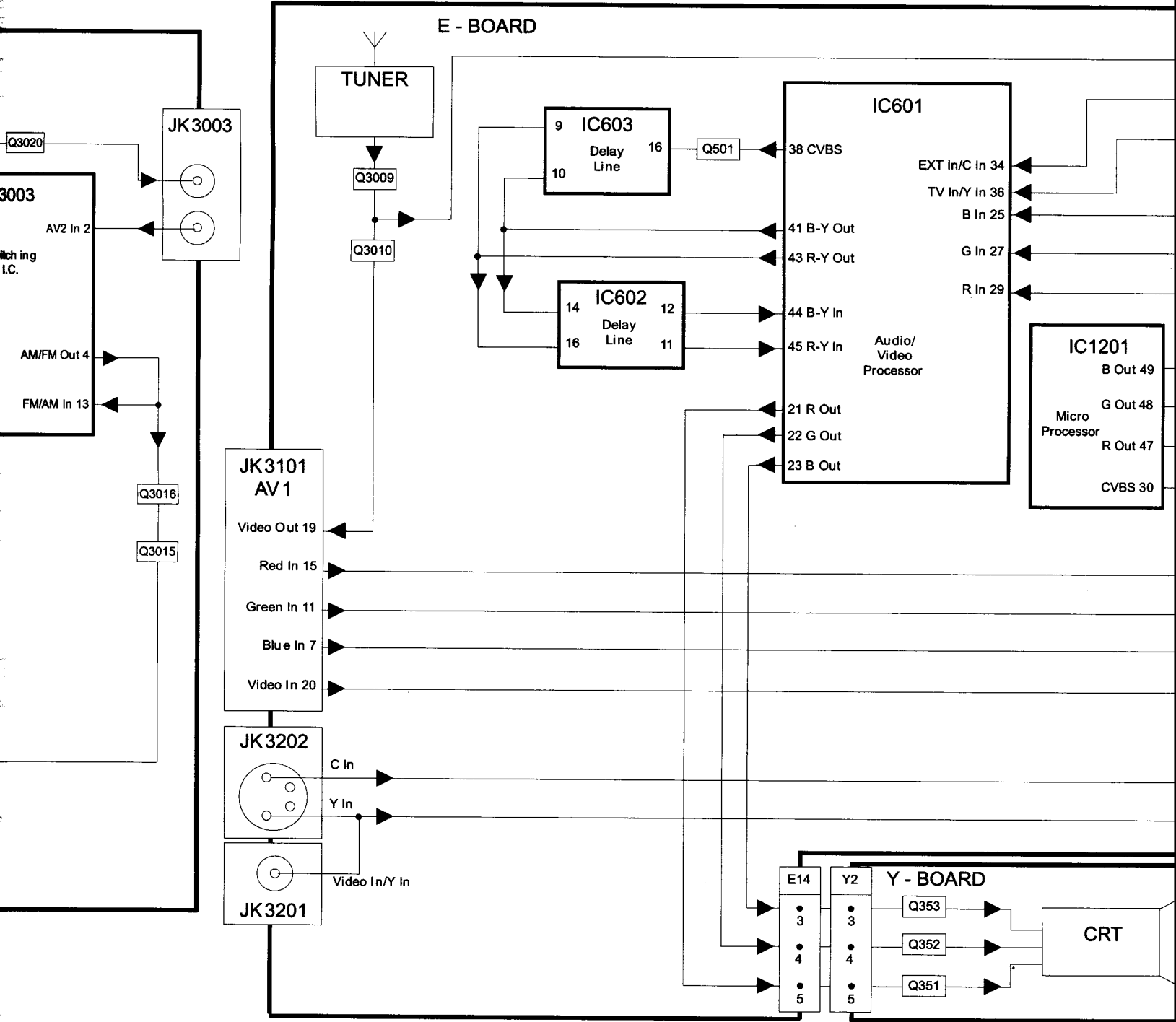


AUDIO BLOCK DIAGRAM

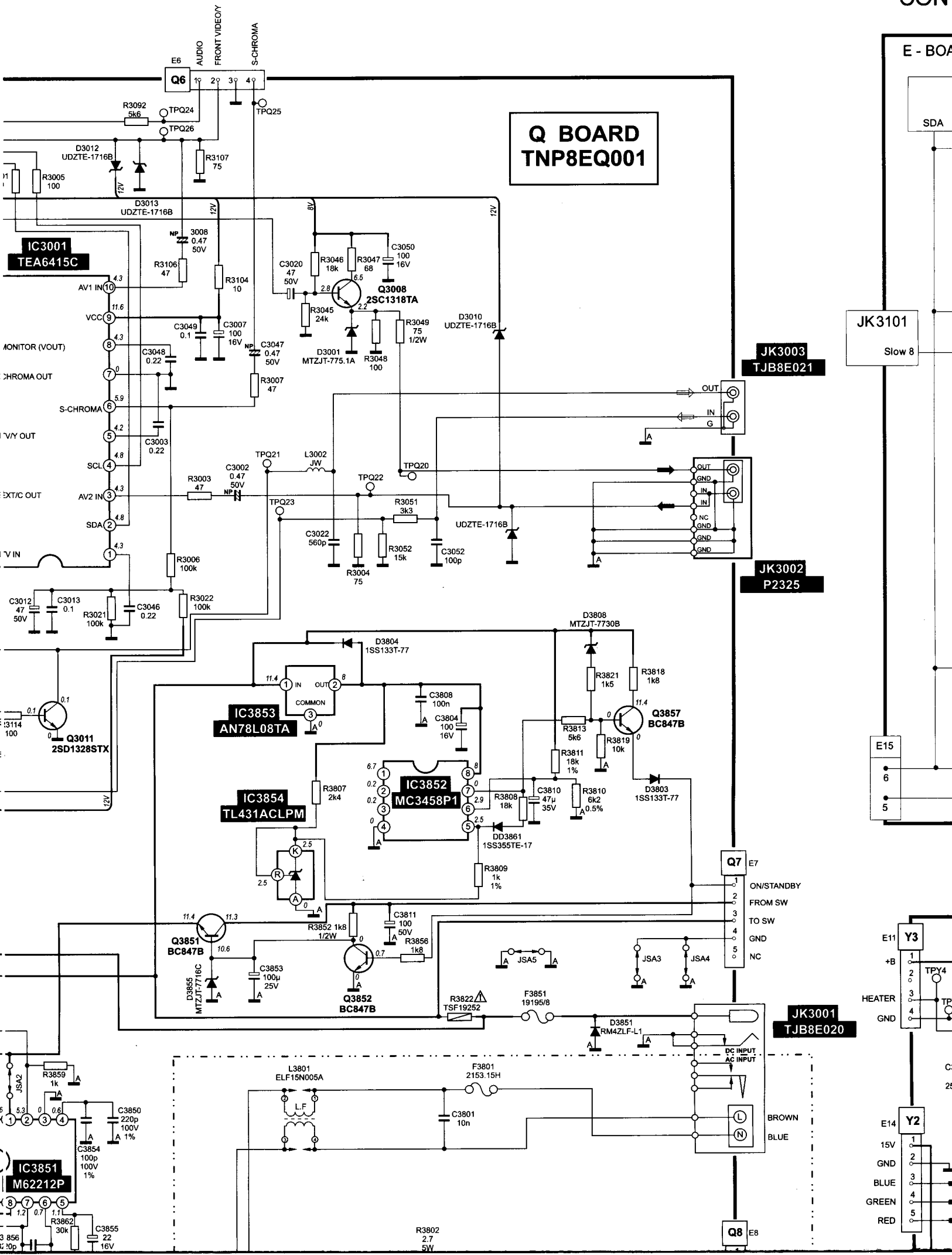




VIDEO BLOCK DIAGRAM



Q BOARD TNP8EQ001



JK3101
Slow 8

JK3003
TJB8E021

JK3002
P2325

E15
6
5

Q7 E7
1 ON/STANDBY
2 FROM SW
3 TO SW
4 GND
5 NC

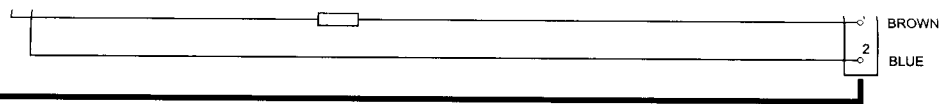
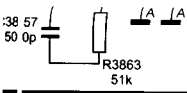
JK3001
TJB8E020

E11
+B
1
2
3
4
GND

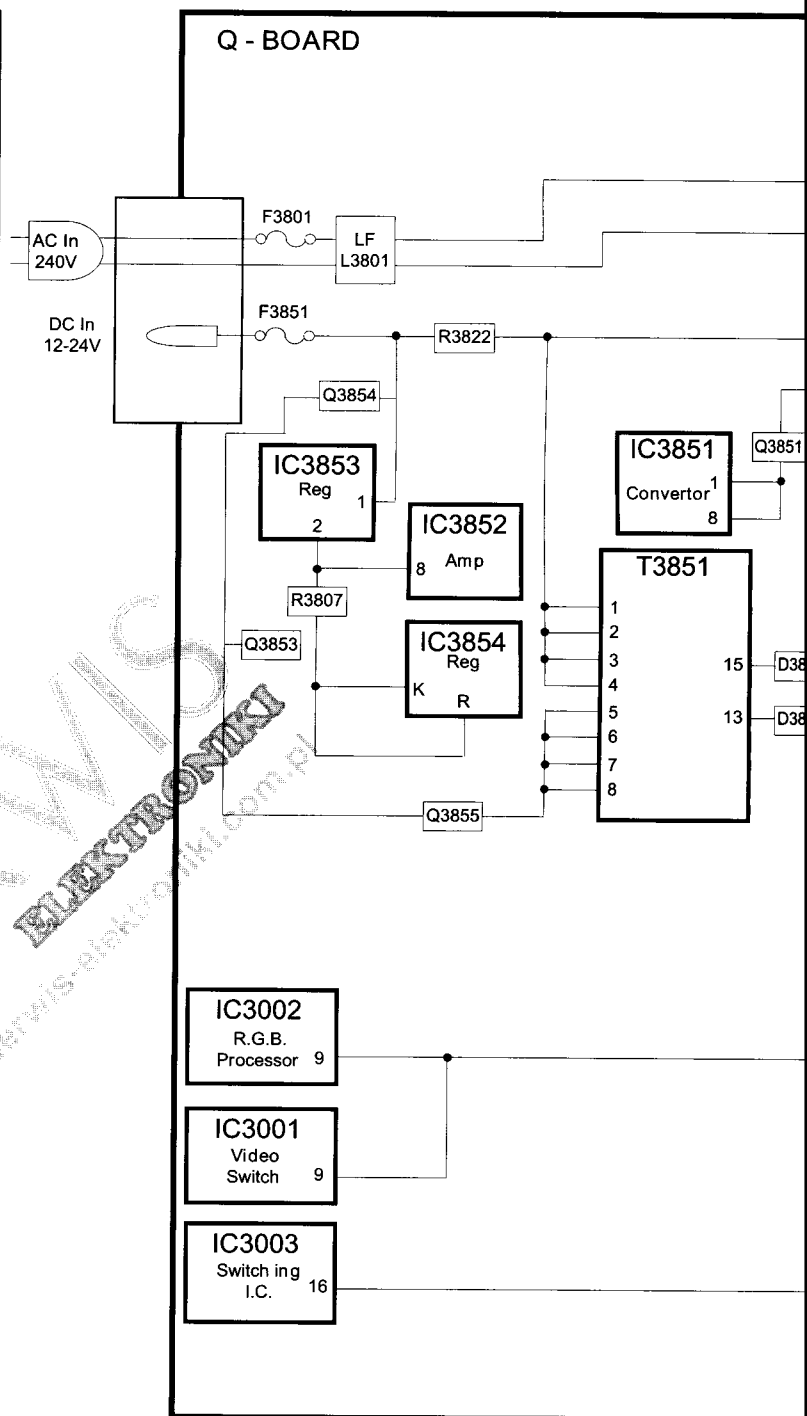
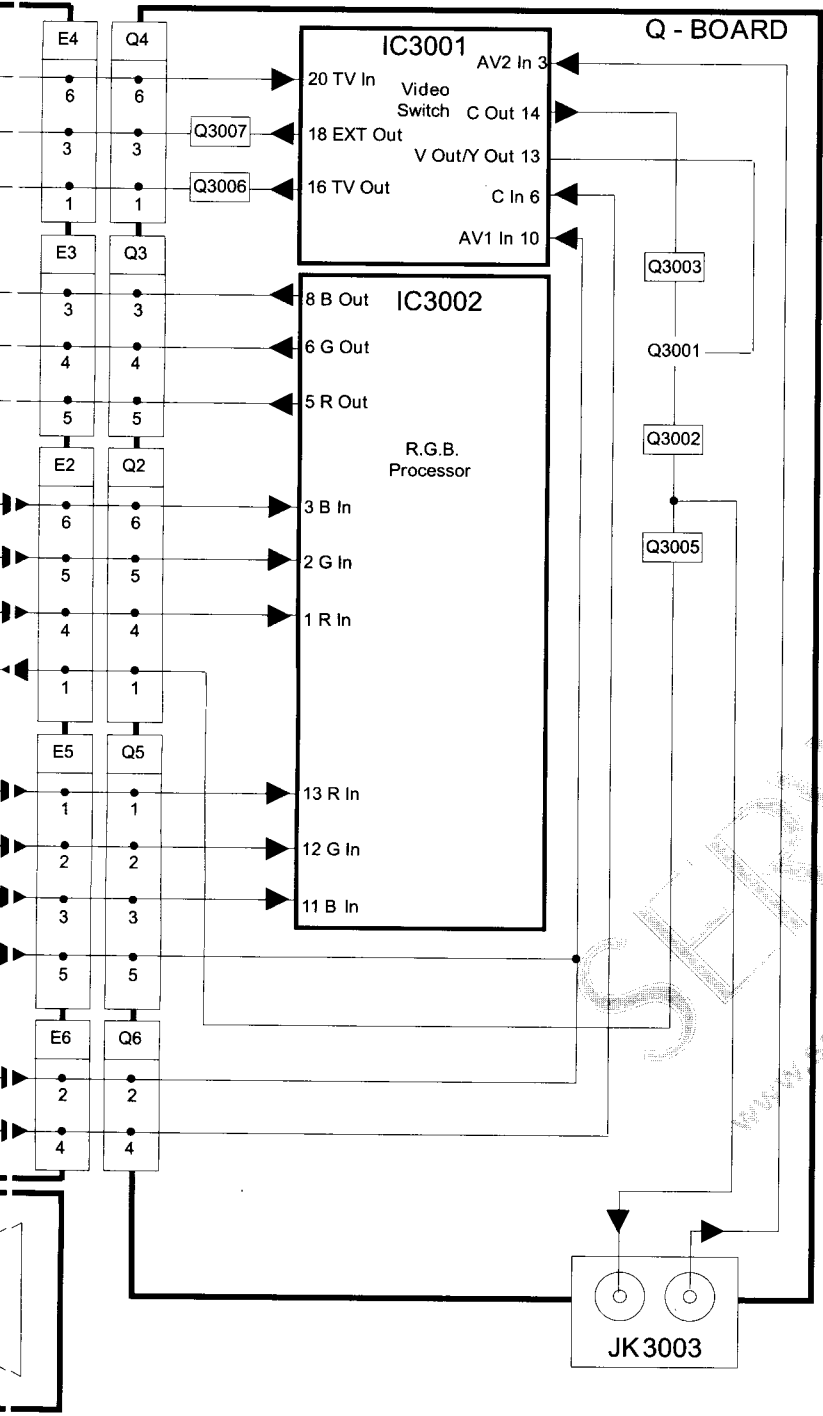
E14
Y2
1 15V
2 GND
3 BLUE
4 GREEN
5 RED

Q8 E8
L BROWN
N BLUE

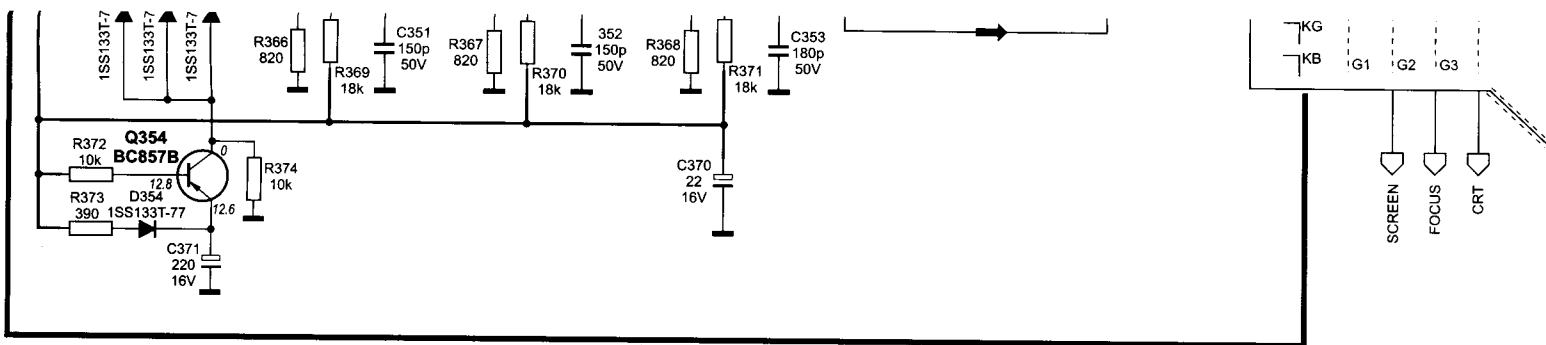
R3802
2.7
5W



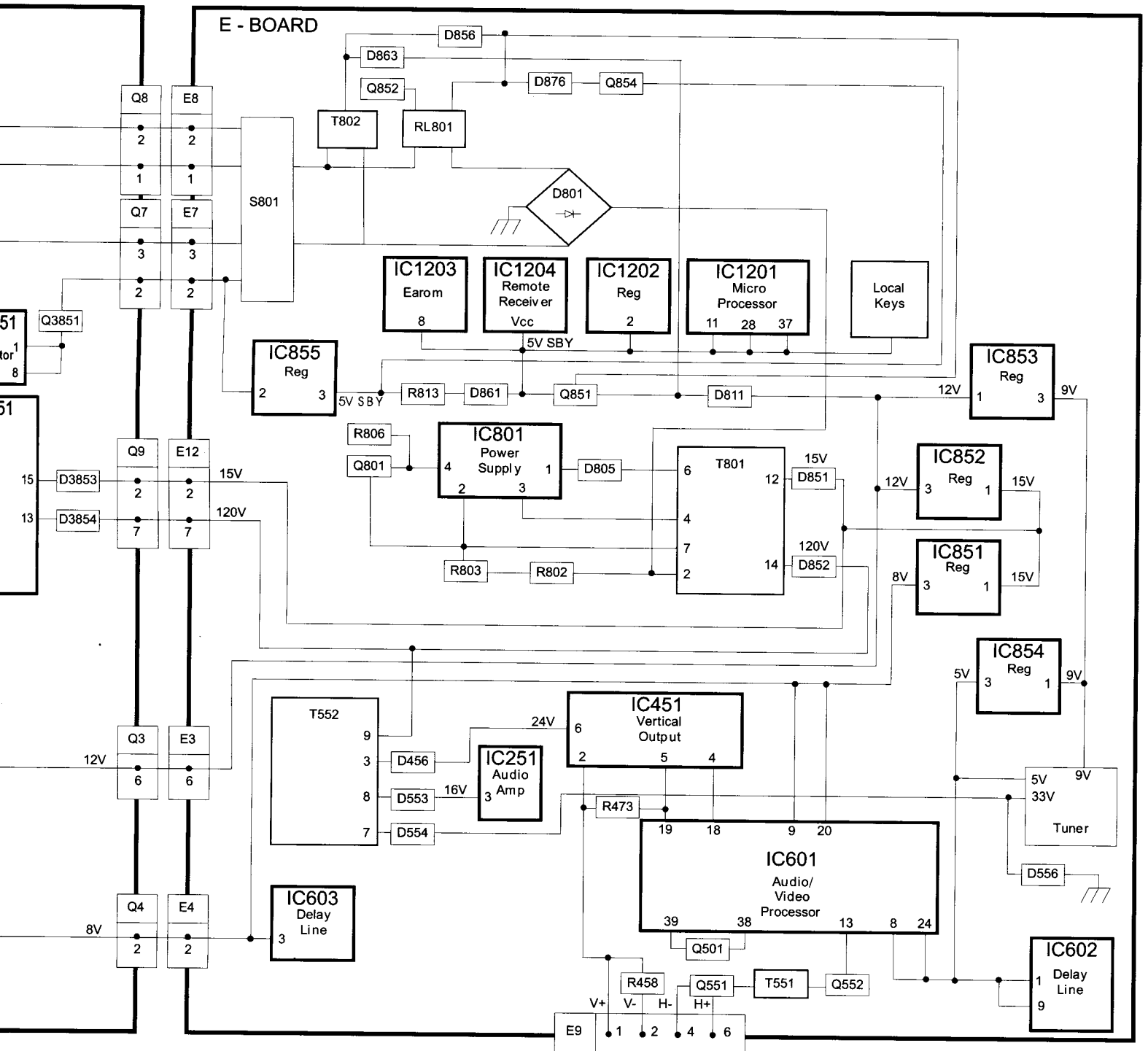
POWER SUPPLY BLOCK DIAGRAM



- IC3002 R.G.B. Processor 9
- IC3001 Video Switch 9
- IC3003 Switching I.C. 16



AGRAM



W_SE9/2006